

- Product quality is of paramount importance to us. Therefore we are certified to EN ISO 9001 since more than a decade. Recently we have been certified to EN ISO 14001 and OHSAS 18001 focusing our commitment to the environment as well as to health and safety.
- **Certifiés EN-ISO 9001, En-ISO 14001 et OHSAS 18001, pour un service toujours amélioré et un respect des personnes et de l'environnement.**



## ***Le Bourroir Ultra-Résistant*** ***The Wear Ultra Resistant tamping tines***

### ***CATALOGUE GENERAL*** ***GENERAL CATALOG***

15 Rue Gay Lussac - Zone Industrielle  
F-94438 CHENNEVIERES SUR MARNE CEDEX  
Tel : +33.1.45.94.20.20 - Fax : +33.1.45.94.46.08  
e-mail : [mcm@mktool.com](mailto:mcm@mktool.com) - WebSite: [www.mktool.com](http://www.mktool.com)



# CERTIFICAT

La société AGQS Qualitäts- und Umweltmanagement GmbH  
 confirme que la société

**MKTool**

MKTool  
 15 Rue Gay Lussac  
 F-94438 Chennevières-sur-Marne

a mis en oeuvre et maintient, dans le domaine d'application  
 développement et fabrication d'outils de bourrage  
 renforcés au carbure de tungstène destinés à  
 l'entretien de la voie et des pièces d'usure  
 renforcées au carbure de tungstène

un système de management. Un audit, documenté dans un  
 rapport, a confirmé que ce système de management remplit les  
 exigences énoncées dans la norme suivante:

**DIN EN ISO 9001:2008**

  
 Remscheid, 2016-12-19

Uniquement valable en liaison avec le certificat principal 212-QMS-01-05



AGQS Qualitäts- und  
 Umweltmanagement GmbH  
 Elberfelder Straße 77  
 D-42853 Remscheid  
 email@agqs.de

Audit	212-QMS-R50
Certificat	212-QMS-01-05-02
Valable à partir	2016-12-19
Valable jusqu'au	2018-09-14
1e certification	2001-11-12

- Product quality is of paramount importance to us. Therefore we are certified to EN ISO 9001 since more than a decade. Recently we have been certified to EN ISO 14001 and OHSAS 18001 focusing our commitment to the environment as well as to health and safety.
- **Certifiés EN-ISO 9001, En-ISO 14001 et OHSAS 18001, pour un service toujours amélioré et un respect des personnes et de l'environnement.**



## Représentants MKTOOL

France : **MOURGEON Industrie S.A**  
15 rue Gay Lussac - Zone Industrielle  
F-94438 Chennevières sur Marne Cedex  
Tel : +33 (01) 45.94.20.20, Fax +33 (01) 45.94.46.08  
e-mail : [michele@mktool.com](mailto:michele@mktool.com), HomePage : [www.mktool.com](http://www.mktool.com)

Germany : **NEWAG GmbH & Co KG**  
Postfach/POB/PB 12 03 55, D-46103 Oberhausen  
Ripshorster Straße 321, D-46117 Oberhausen-Osterfeld  
Telefon : +49 (0208) 8 65 03 - 0, Telefax : +49 (0208) 8 65 03 20,  
e-mail : [info@newag.de](mailto:info@newag.de), HomePage : [www.newag.de](http://www.newag.de)

Other Agents on request ...

- Product quality is of paramount importance to us. Therefore we are certified to EN ISO 9001 since more than a decade. Recently we have been certified to EN ISO 14001 and OHSAS 18001 focusing our commitment to the environment as well as to health and safety.
- **Certifiés EN-ISO 9001, En-ISO 14001 et OHSAS 18001, pour un service toujours amélioré et un respect des personnes et de l'environnement.**




## Notes



- Product quality is of paramount importance to us. Therefore we are certified to EN ISO 9001 since more than a decade. Recently we have been certified to EN ISO 14001 and OHSAS 18001 focusing our commitment to the environment as well as to health and safety.
- **Certifiés EN-ISO 9001, En-ISO 14001 et OHSAS 18001, pour un service toujours amélioré et un respect des personnes et de l'environnement.**



## Conseils d'utilisation

*Vous pouvez facilement trouver la valeur qui vous intéresse en utilisant l'outil de recherche  que ce soit pour trouver :*

- *La longueur de l'outil,*
- *La largeur ou la hauteur de la palette*
- *Le type de votre machine ...*

*L'outil main  se transforme en  lorsque vous survolez un lien vers Internet, une adresse e-mail ou une page du document.*


*Ce point d'interrogation  vous apporte des informations complémentaires*

*(Nous restons à votre entière disposition pour toutes informations complémentaires que vous jugeriez nécessaires au 01.45.94.20.20.)*

- Product quality is of paramount importance to us. Therefore we are certified to EN ISO 9001 since more than a decade. Recently we have been certified to EN ISO 14001 and OHSAS 18001 focusing our commitment to the environment as well as to health and safety.
- **Certifiés EN-ISO 9001, En-ISO 14001 et OHSAS 18001, pour un service toujours amélioré et un respect des personnes et de l'environnement.**




## Using Advice

To find out the value you are looking for, pop-up this icon  in the tool bar, whatever you are looking for:

- The length of the tine,
- The wildness or tallness of the pad,
- The type of your machine ...

The handtool  become  when passing over a link to the Web, an e-mailaddress or a page of this catalogue

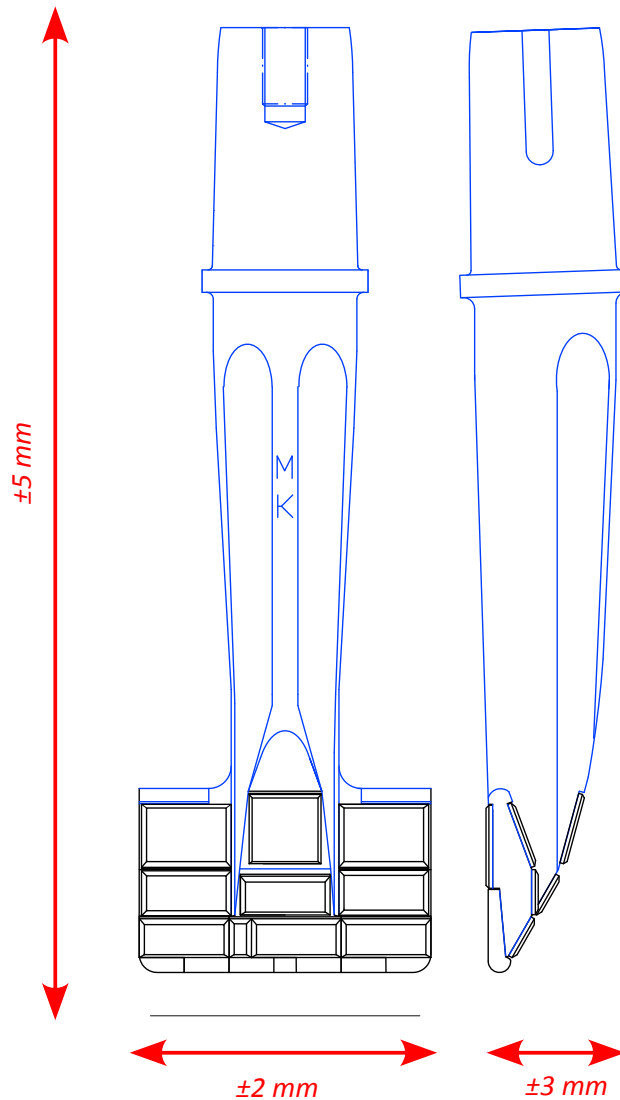
This interrogation point  gives you some more information.

(Should you need any further informations,  
please feel free to contactus by phone at  
+33.1.45.94.20.20)

- Product quality is of paramount importance to us. Therefore we are certified to EN ISO 9001 since more than a decade. Recently we have been certified to EN ISO 14001 and OHSAS 18001 focusing our commitment to the environment as well as to health and safety.
- Certifiés EN-ISO 9001, En-ISO 14001 et OHSAS 18001, pour un service toujours amélioré et un respect des personnes et de l'environnement.



## Tolérances / Tolerances



DESSIN NON CONTRACTUEL / NON CONTRACTUAL DRAWING

- Product quality is of paramount importance to us. Therefore we are certified to EN ISO 9001 since more than a decade. Recently we have been certified to EN ISO 14001 and OHSAS 18001 focusing our commitment to the environment as well as to health and safety.
- **Certifiés EN-ISO 9001, En-ISO 14001 et OHSAS 18001, pour un service toujours amélioré et un respect des personnes et de l'environnement.**



## Table des matières

Mourgeon's Info.....	1
Certificat Iso / Iso certificat.....	2
Représentants MKTOOL.....	3
Notes.....	4
Conseils d'utilisation.....	5
Using Advice.....	6
Tolérances / Tolerances.....	7
MK111.....	12
MK115.....	13
MK124R.....	14
MK131.....	15
MK132.....	16
MK133.....	17
MK145.....	18
MK156.....	19
MK164.....	20
MK166.....	21
MK211R.....	22
MK212R.....	23
MK213R.....	24
MK221R.....	25
MK222R.....	26
MK223R.....	27
MK221RDL.....	28
MK222RDL.....	29
MK231R.....	30
MK232R.....	31
MK233R.....	32



- Product quality is of paramount importance to us. Therefore we are certified to EN ISO 9001 since more than a decade. Recently we have been certified to EN ISO 14001 and OHSAS 18001 focusing our commitment to the environment as well as to health and safety.

- **Certifiés EN-ISO 9001, En-ISO 14001 et OHSAS 18001, pour un service toujours amélioré et un respect des personnes et de l'environnement.**



MK241.....	33
MK244.....	34
MK245.....	35
MK251R.....	36
MK252R.....	37
MK253R.....	38
MK311.....	39
MK312.....	40
MK313.....	41
MK314.....	42
MK321.....	43
MK331.....	44
MK421.....	45
MK521.....	46
MK522.....	47
MK523.....	48
P & T Type 07/12 - 420/520 mm.....	49
P & T Type 07/16 - 420 mm.....	50
P & T Type 07/16 - 480 mm.....	51
P & T Type 07/32 - 420 mm.....	52
P & T Type 07/275 - 590 mm.....	53
P & T Type 08/16 - 420 mm.....	54
P & T Type 08/16 - Après/After 2002 - 500 mm.....	55
P & T Type 08/16 Unomatic - 480 mm.....	56
P & T Type 08/16 zz - 420 mm.....	57
P & T Type 08/32U - : 480 mm.....	58
P & T Type 08/32U - 450 mm.....	59
P & T Type 08/32 - 480 mm.....	60
P & T Type 08/75 GS/SP - 480/590 mm.....	61
P & T Type 08/75 ZW - 480/590 mm.....	62
P & T Type 08/275 - 590 mm.....	63

- Product quality is of paramount importance to us. Therefore we are certified to EN ISO 9001 since more than a decade. Recently we have been certified to EN ISO 14001 and OHSAS 18001 focusing our commitment to the environment as well as to health and safety.

- **Certifiés EN-ISO 9001, En-ISO 14001 et OHSAS 18001, pour un service toujours amélioré et un respect des personnes et de l'environnement.**



<i>P &amp; T Type 08/275 ZW – 590 mm.....</i>	<i>64</i>
<i>P &amp; T Type 08/275 Unimat et Unimat 3 S – 480/590 mm.....</i>	<i>65</i>
<i>P &amp; T Type EMV – 480 mm.....</i>	<i>66</i>
<i>P &amp; T Type 08-475 LGV – 480 mm.....</i>	<i>67</i>
<i>P &amp; T Type 08-475 4S – Avant/Before 1992 – 445/570 mm.....</i>	<i>68</i>
<i>P &amp; T Type 08/475 4S - Après/After 1993 - 520/570 mm.....</i>	<i>69</i>
<i>P &amp; T Type 08-475 4S - Après/After 2001 - 500 mm.....</i>	<i>70</i>
<i>P &amp; T Type 09-2X – 500 mm.....</i>	<i>71</i>
<i>P &amp; T Type 09-3X ( Stopfexpress) – 500 mm.....</i>	<i>72</i>
<i>P &amp; T Type 09-4X ( Stopfexpress) – 500 mm.....</i>	<i>73</i>
<i>P &amp; T Type 09 Dynamic – 480 mm.....</i>	<i>74</i>
<i>P &amp; T Type 09 Dynamic – 450 mm.....</i>	<i>75</i>
<i>P &amp; T Type 09/16 CSM – 480 mm.....</i>	<i>76</i>
<i>P &amp; T Type 09/16 CSM – 450 mm.....</i>	<i>77</i>
<i>P &amp; T Type 09/16 4S – Avant/before 2001 – 520/590 mm.....</i>	<i>78</i>
<i>P &amp; T Type 09/16 4S – Après/After 2001 – 500 mm.....</i>	<i>79</i>
<i>P &amp; T Type 09/32 4S – 550 mm.....</i>	<i>80</i>
<i>P &amp; T Type 09/32 CSM – 93/95 – 550 mm.....</i>	<i>81</i>
<i>P &amp; T Type 09/32 CSM – 480 mm.....</i>	<i>82</i>
<i>P &amp; T Type 09/32 CSM – 450 mm.....</i>	<i>83</i>
<i>P &amp; T Type 09/90 – 480 mm.....</i>	<i>84</i>
<i>P &amp; T Type 79/800 W – 590 mm.....</i>	<i>85</i>
<i>P &amp; T Type 108/32 – 480 mm.....</i>	<i>86</i>
<i>P &amp; T Type 108 Framafer – 550 mm.....</i>	<i>87</i>
<i>P &amp; T Type 108/275 – 480/590 mm.....</i>	<i>88</i>
<i>P &amp; T Type 108-475 – 480 mm.....</i>	<i>89</i>
<i>P &amp; T Type 109 Framafer – 550 mm.....</i>	<i>90</i>
<i>P &amp; T Type 4X4 – Après/After 2001 – 500 mm.....</i>	<i>91</i>
<i>P &amp; T Type 4X4C 100-RT – Après/After 2002 – 500 mm.....</i>	<i>92</i>
<i>P &amp; T Type 4S-RT – Après/After 2001 - 500.....</i>	<i>93</i>
<i>P &amp; T Type UST 78 W – 520 mm.....</i>	<i>94</i>

- Product quality is of paramount importance to us. Therefore we are certified to EN ISO 9001 since more than a decade. Recently we have been certified to EN ISO 14001 and OHSAS 18001 focusing our commitment to the environment as well as to health and safety.
- **Certifiés EN-ISO 9001, En-ISO 14001 et OHSAS 18001, pour un service toujours amélioré et un respect des personnes et de l'environnement.**



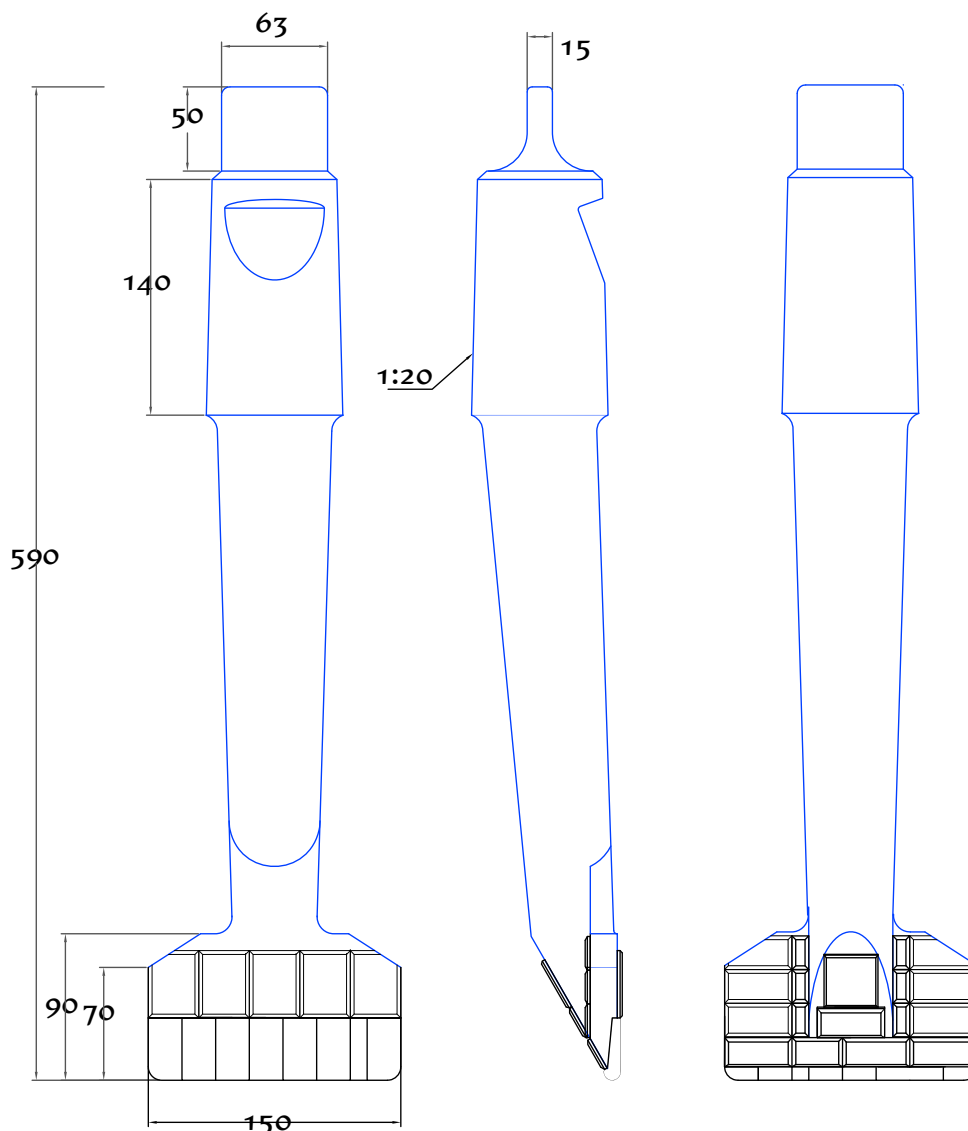
<i>P &amp; T Type UST 79S – 520 mm</i> .....	95
<i>P &amp; T Type UST 79W – 520 mm</i> .....	96
<i>MATISA Type B20BI AC-4 – 510 mm</i> .....	97
<i>MATISA Types Combi20 - B20BI AC-4 – 550 mm</i> .....	98
<i>MATISA Types B30D - B40D - B41D - B45D - B50D – Standard tools 510 mm</i> .....	99
<i>MATISA Types B45D – B50D – 550 mm</i> .....	100
<i>MATISA Types B40U - B41U - B66U - 530 mm</i> .....	101
<i>MATISA Types B40UE - B41UE - B66UE - 530 mm</i> .....	102
<i>MATISA Types B20L - B30L - B40L - B45L - 510 mm</i> .....	103
<i>MATISA Types B20C - B20-75C - B20-95C - 530 mm</i> .....	104
<i>JACKSON – Voie/Plaine line</i> .....	105
<i>JACKSON – Appareils/switchs – 500 mm</i> .....	106
<i>TAMPER HARSCO</i> .....	107

- Product quality is of paramount importance to us. Therefore we are certified to EN ISO 9001 since more than a decade. Recently we have been certified to EN ISO 14001 and OHSAS 18001 focusing our commitment to the environment as well as to health and safety.
- Certifiés EN-ISO 9001, En-ISO 14001 et OHSAS 18001, pour un service toujours amélioré et un respect des personnes et de l'environnement.



## MK111

Pour machines Plasser & Theurer  
For Plasser & Theurer Tamping Machines  
07/275, 08/275, 108/275, 08/275 Unimat,  
08/275 Unimat 3S, 08/275 ZW  
08/75 ZW, 08/75-GS/SP, 09/16 4S, 79-800 W,  
Beaver Unima I+II



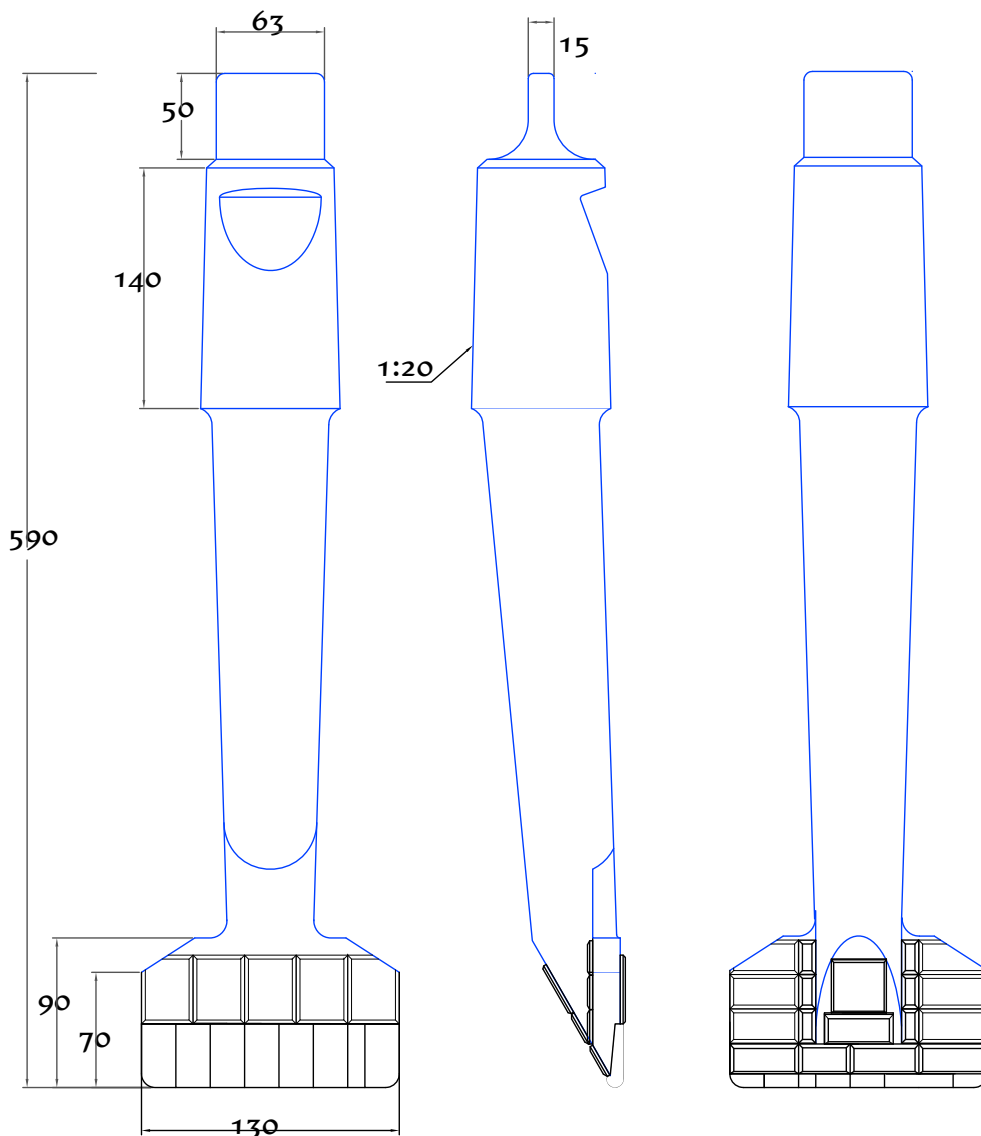
DESSIN NON CONTRACTUEL / NON CONTRACTUAL DRAWING

- Product quality is of paramount importance to us. Therefore we are certified to EN ISO 9001 since more than a decade. Recently we have been certified to EN ISO 14001 and OHSAS 18001 focusing our commitment to the environment as well as to health and safety.
- Certifiés EN-ISO 9001, En-ISO 14001 et OHSAS 18001, pour un service toujours amélioré et un respect des personnes et de l'environnement.



## MK115

Pour machines Plasser & Theurer  
For Plasser & Theurer Tamping Machines  
07/275, 08/275, 108/275, 08/275 Unimat,  
08/275 Unimat 3S, 08/275 ZW  
08/75 ZW, 08/75-GS/SP, 09/16 4S, 79-800 W,  
108-32/275, Beaver Unima I+II



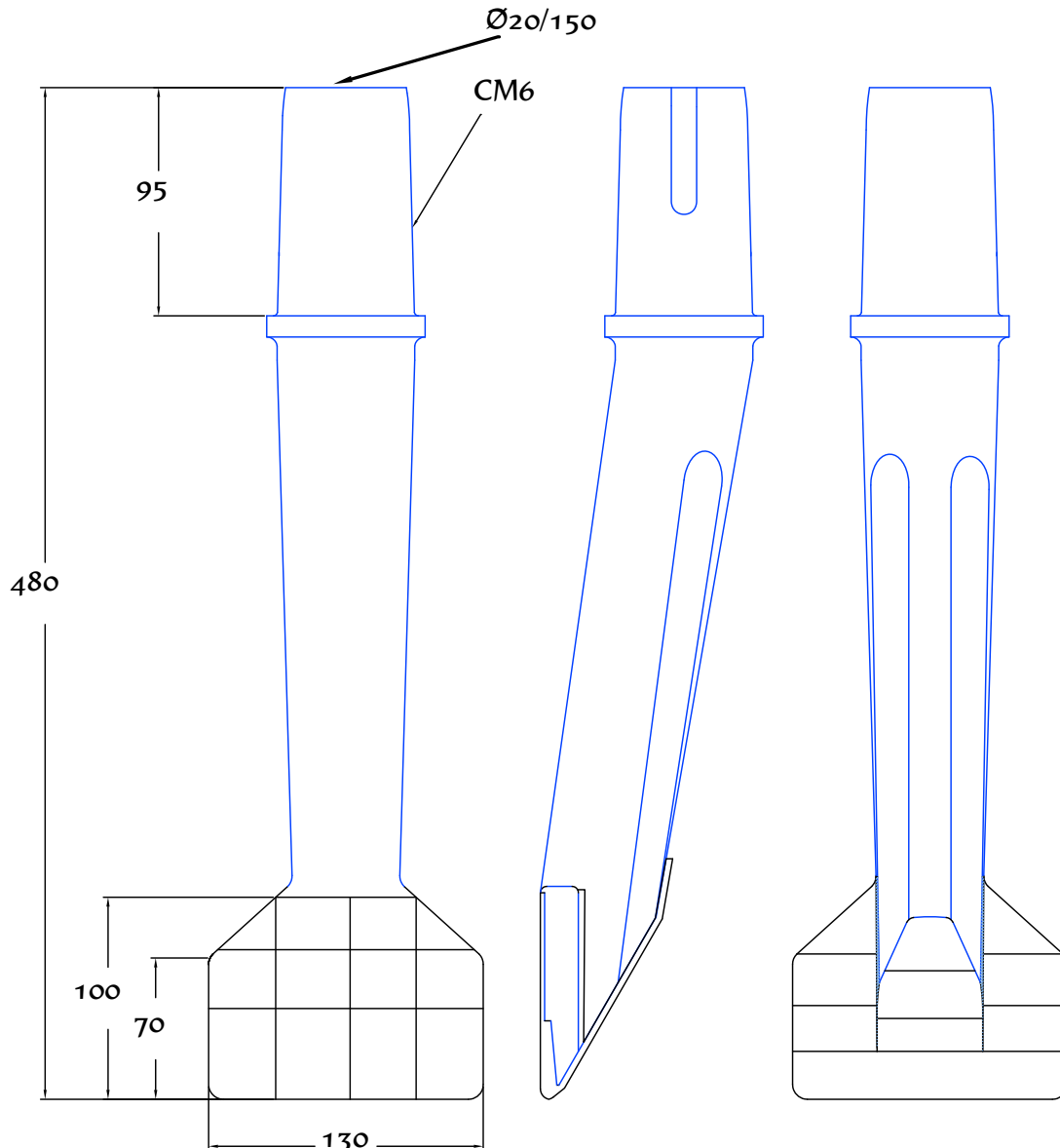
DESSIN NON CONTRACTUEL / NON CONTRACTUAL DRAWING

- Product quality is of paramount importance to us. Therefore we are certified to EN ISO 9001 since more than a decade. Recently we have been certified to EN ISO 14001 and OHSAS 18001 focusing our commitment to the environment as well as to health and safety.
- Certifiés EN-ISO 9001, En-ISO 14001 et OHSAS 18001, pour un service toujours amélioré et un respect des personnes et de l'environnement.



## MK124R

Pour machines Plasser & Theurer  
For Plasser & Theurer Tamping Machines  
08/275 Unimat, 08/275 Unimat 3S,  
108/275, 08/75 ZW, 08/75-GS/SP,



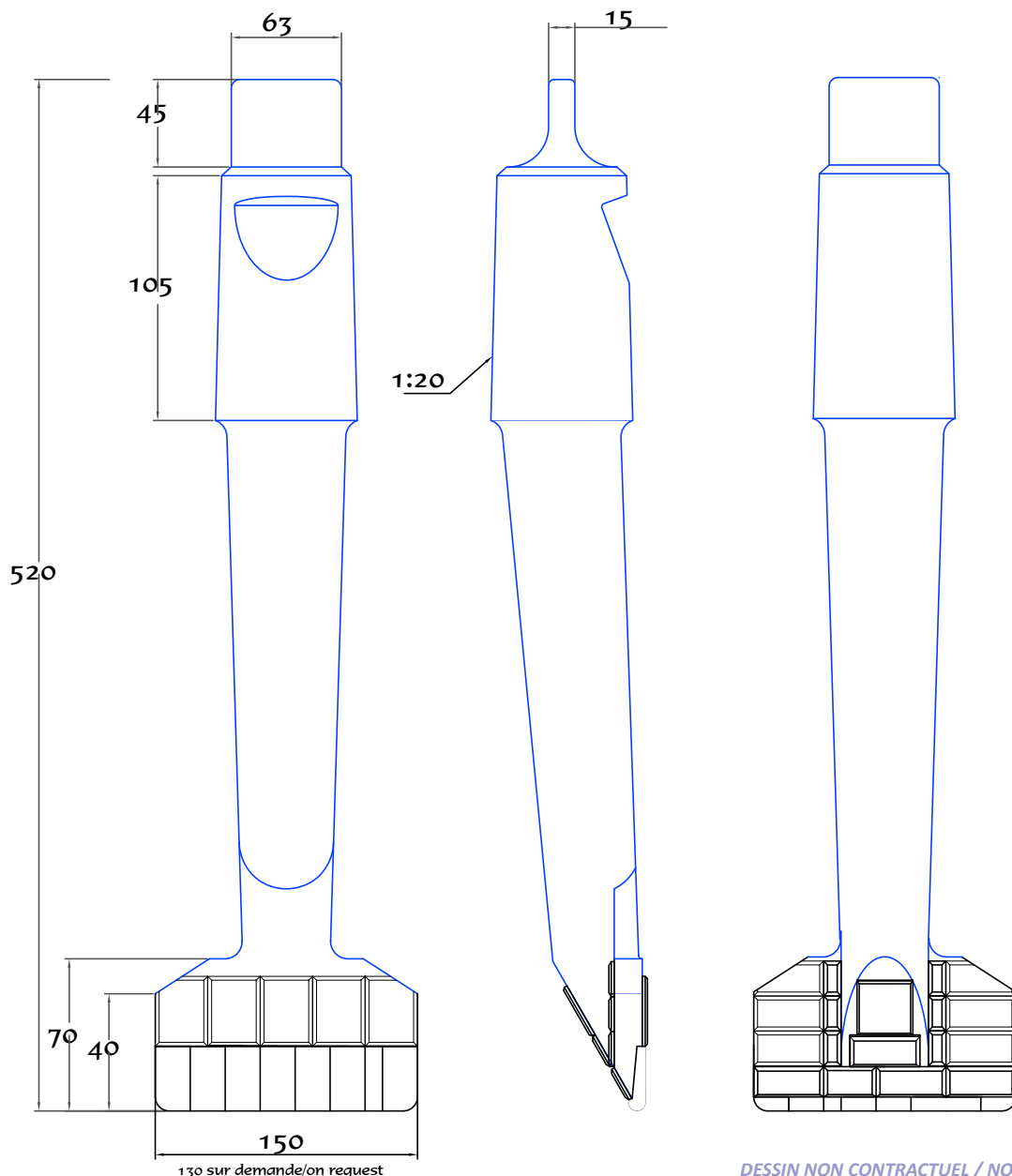
DESSIN NON CONTRACTUEL / NON CONTRACTUAL DRAWING

- Product quality is of paramount importance to us. Therefore we are certified to EN ISO 9001 since more than a decade. Recently we have been certified to EN ISO 14001 and OHSAS 18001 focusing our commitment to the environment as well as to health and safety.
- Certifiés EN-ISO 9001, En-ISO 14001 et OHSAS 18001, pour un service toujours amélioré et un respect des personnes et de l'environnement.



## MK131

Pour machines Plasser & Theurer  
For Plasser & Theurer Tamping Machines  
UST 78W, UST 79S & 79W



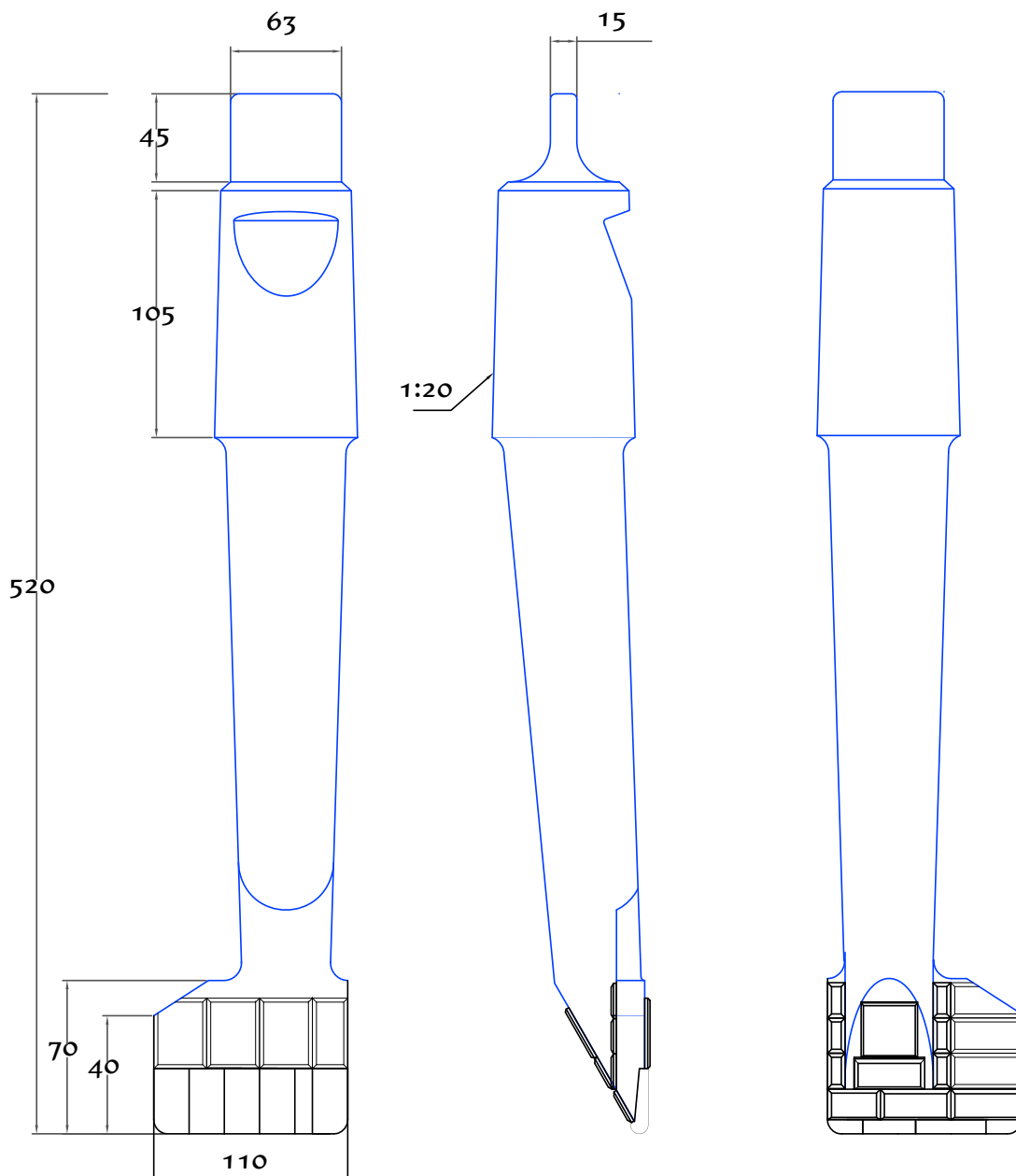
DESSIN NON CONTRACTUEL / NON CONTRACTUAL DRAWING

- Product quality is of paramount importance to us. Therefore we are certified to EN ISO 9001 since more than a decade. Recently we have been certified to EN ISO 14001 and OHSAS 18001 focusing our commitment to the environment as well as to health and safety.
- Certifiés EN-ISO 9001, En-ISO 14001 et OHSAS 18001, pour un service toujours amélioré et un respect des personnes et de l'environnement.



## MK132

Pour machines Plasser & Theurer  
For Plasser & Theurer Tamping Machines  
07-12



DESSIN NON CONTRACTUEL / NON CONTRACTUAL DRAWING

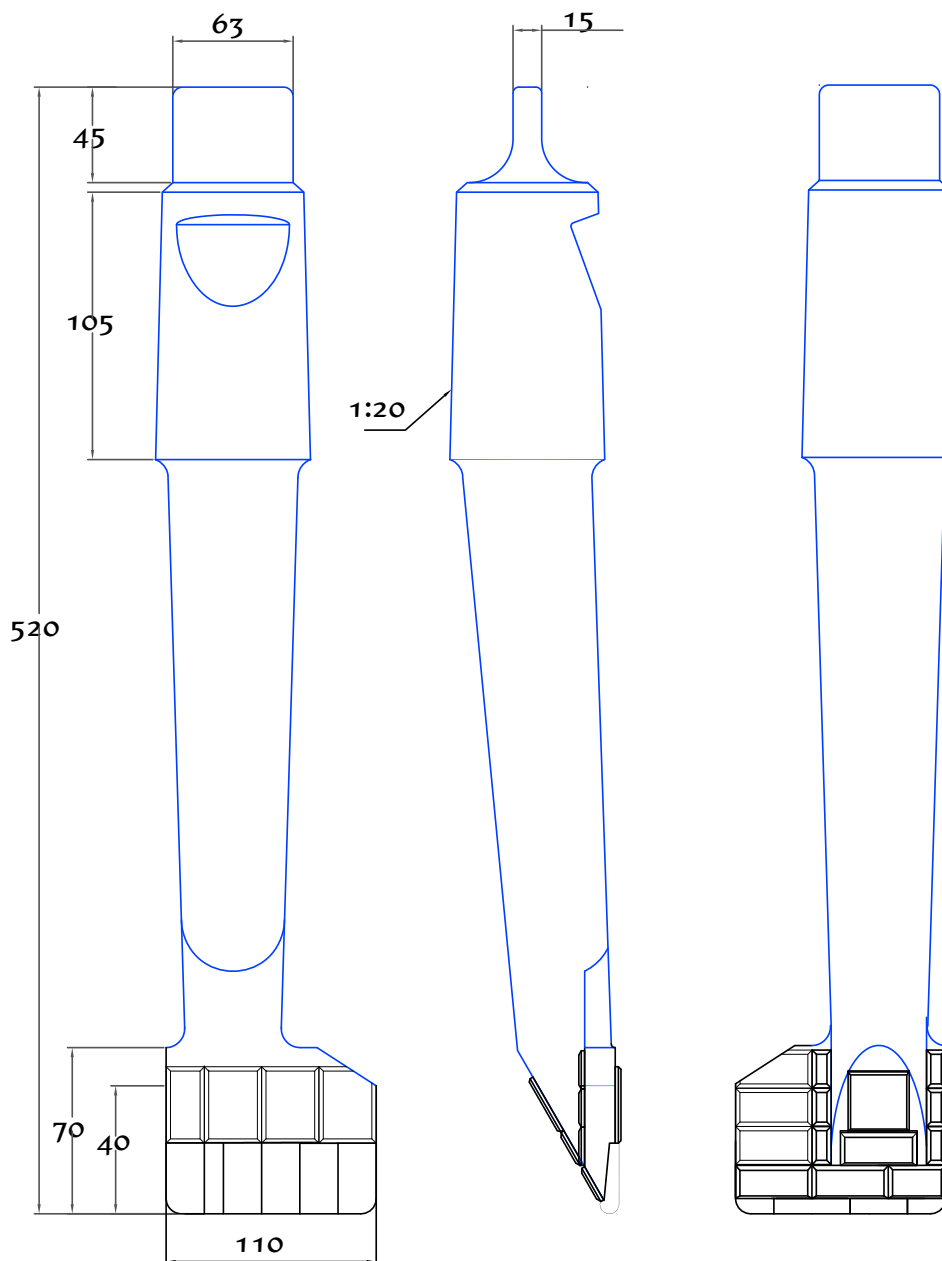


- Product quality is of paramount importance to us. Therefore we are certified to EN ISO 9001 since more than a decade. Recently we have been certified to EN ISO 14001 and OHSAS 18001 focusing our commitment to the environment as well as to health and safety.
- Certifiés EN-ISO 9001, En-ISO 14001 et OHSAS 18001, pour un service toujours amélioré et un respect des personnes et de l'environnement.



## MK133

Pour machines Plasser & Theurer  
For Plasser & Theurer Tamping Machines  
07-12



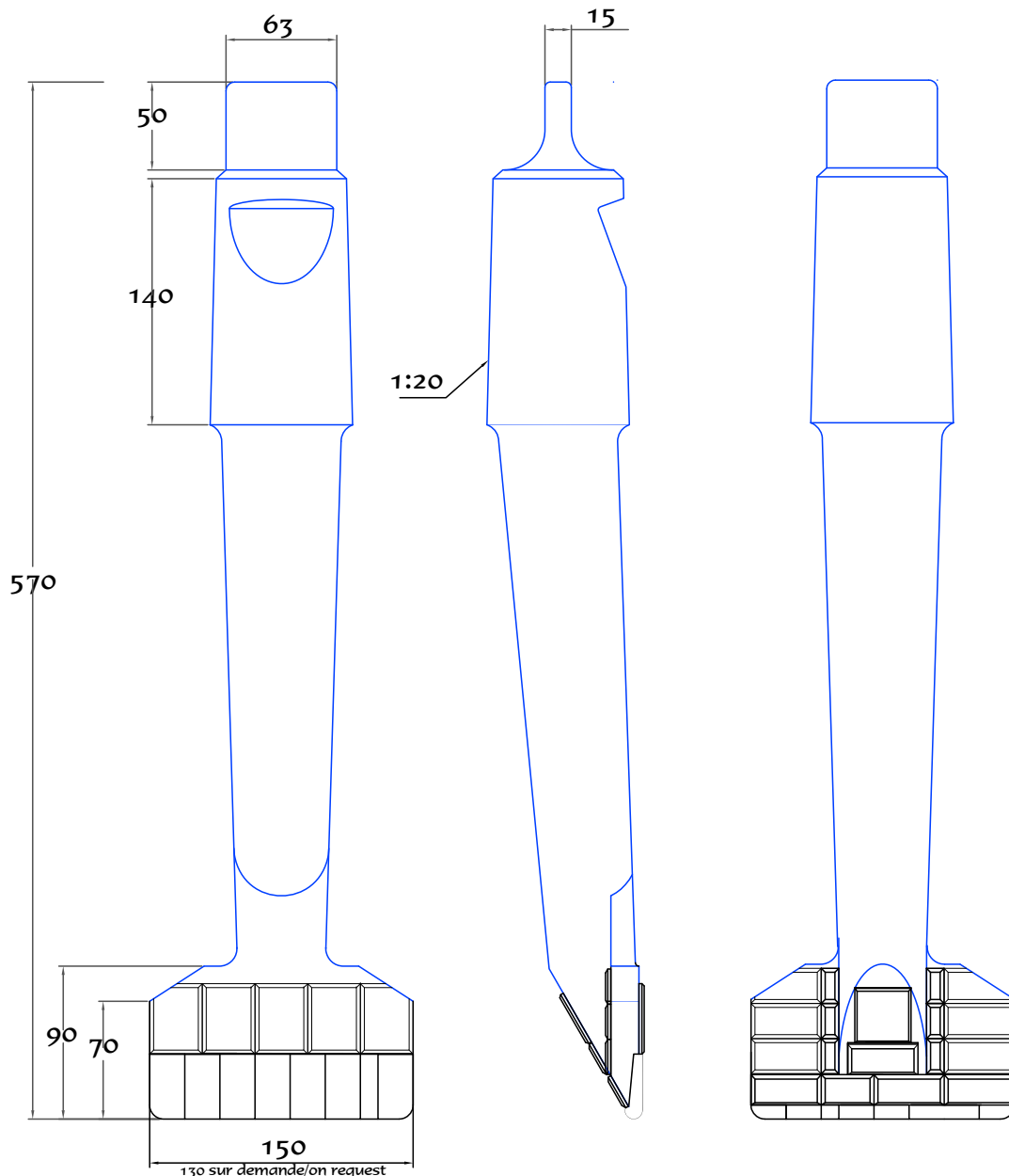
DESSIN NON CONTRACTUEL / NON CONTRACTUAL DRAWING

- Product quality is of paramount importance to us. Therefore we are certified to EN ISO 9001 since more than a decade. Recently we have been certified to EN ISO 14001 and OHSAS 18001 focusing our commitment to the environment as well as to health and safety.
- Certifiés EN-ISO 9001, En-ISO 14001 et OHSAS 18001, pour un service toujours amélioré et un respect des personnes et de l'environnement.



## MK145

Pour machines Plasser & Theurer  
For Plasser & Theurer Tamping Machines  
08/475 4S (before 92), 08/475 4s (after 93)



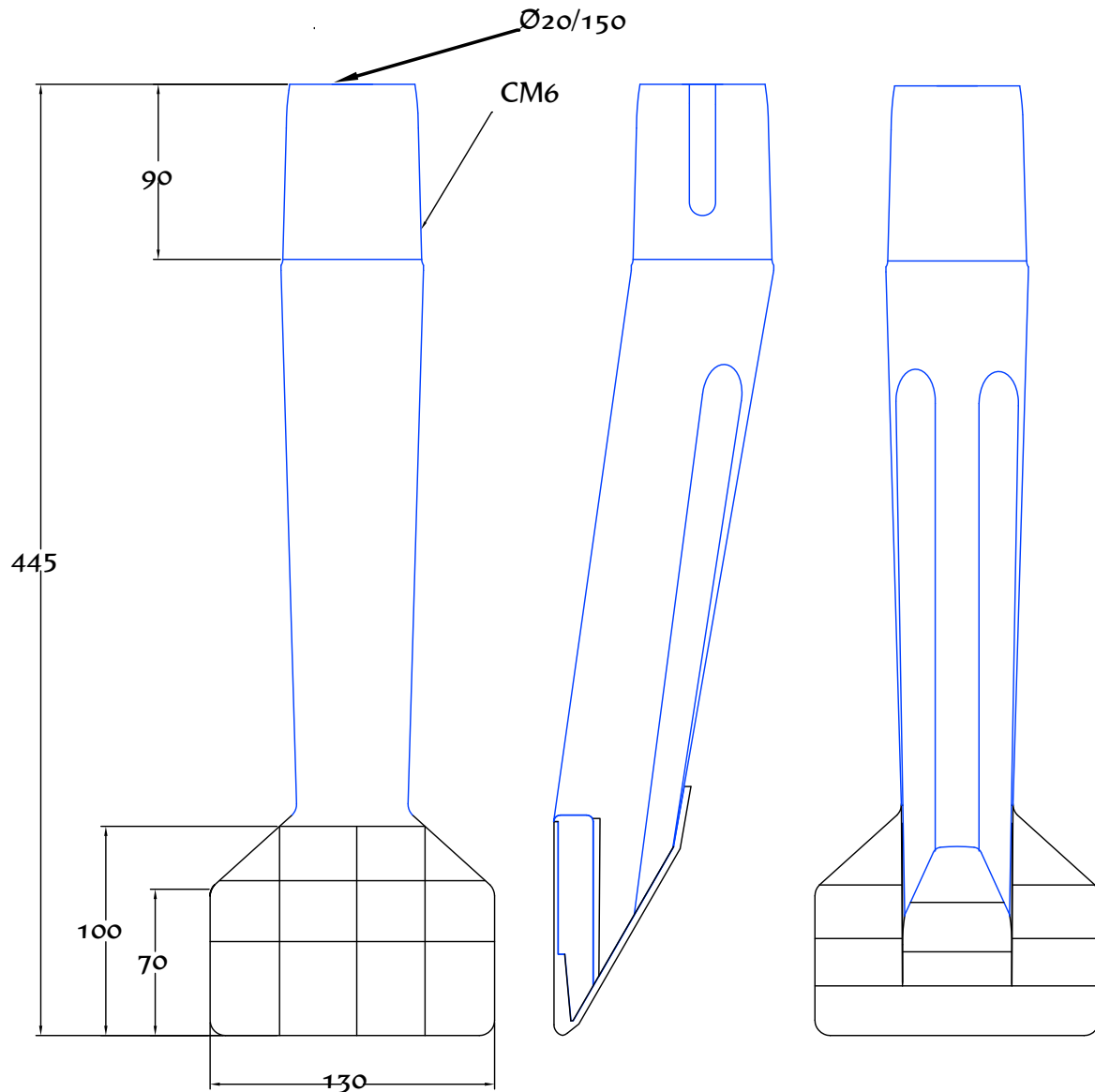
DESSIN NON CONTRACTUEL / NON CONTRACTUAL DRAWING

- Product quality is of paramount importance to us. Therefore we are certified to EN ISO 9001 since more than a decade. Recently we have been certified to EN ISO 14001 and OHSAS 18001 focusing our commitment to the environment as well as to health and safety.
- Certifiés EN-ISO 9001, En-ISO 14001 et OHSAS 18001, pour un service toujours amélioré et un respect des personnes et de l'environnement.



## MK156

Pour machines Plasser & Theurer  
For Plasser & Theurer Tamping Machines  
08/475 4S (beforet 92)

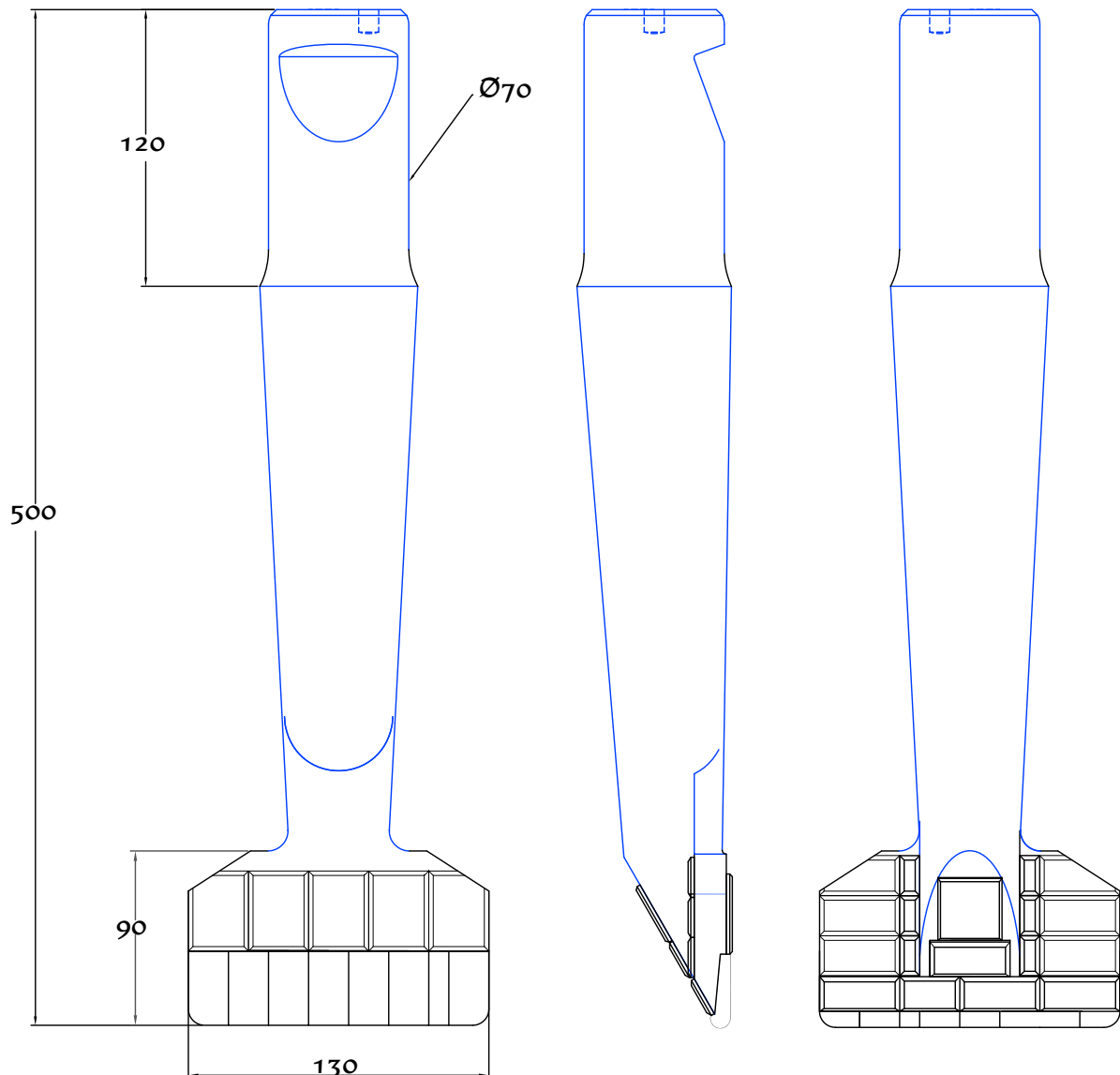


- Product quality is of paramount importance to us. Therefore we are certified to EN ISO 9001 since more than a decade. Recently we have been certified to EN ISO 14001 and OHSAS 18001 focusing our commitment to the environment as well as to health and safety.
- Certifiés EN-ISO 9001, En-ISO 14001 et OHSAS 18001, pour un service toujours amélioré et un respect des personnes et de l'environnement.



## MK164

Pour machines Plasser & Theurer  
For Plasser & Theurer Tamping Machines  
09/16 4S (after 2001), 08/475-4S (after 2001),  
4X4 (after 2001), 4S-RT (after 2001)



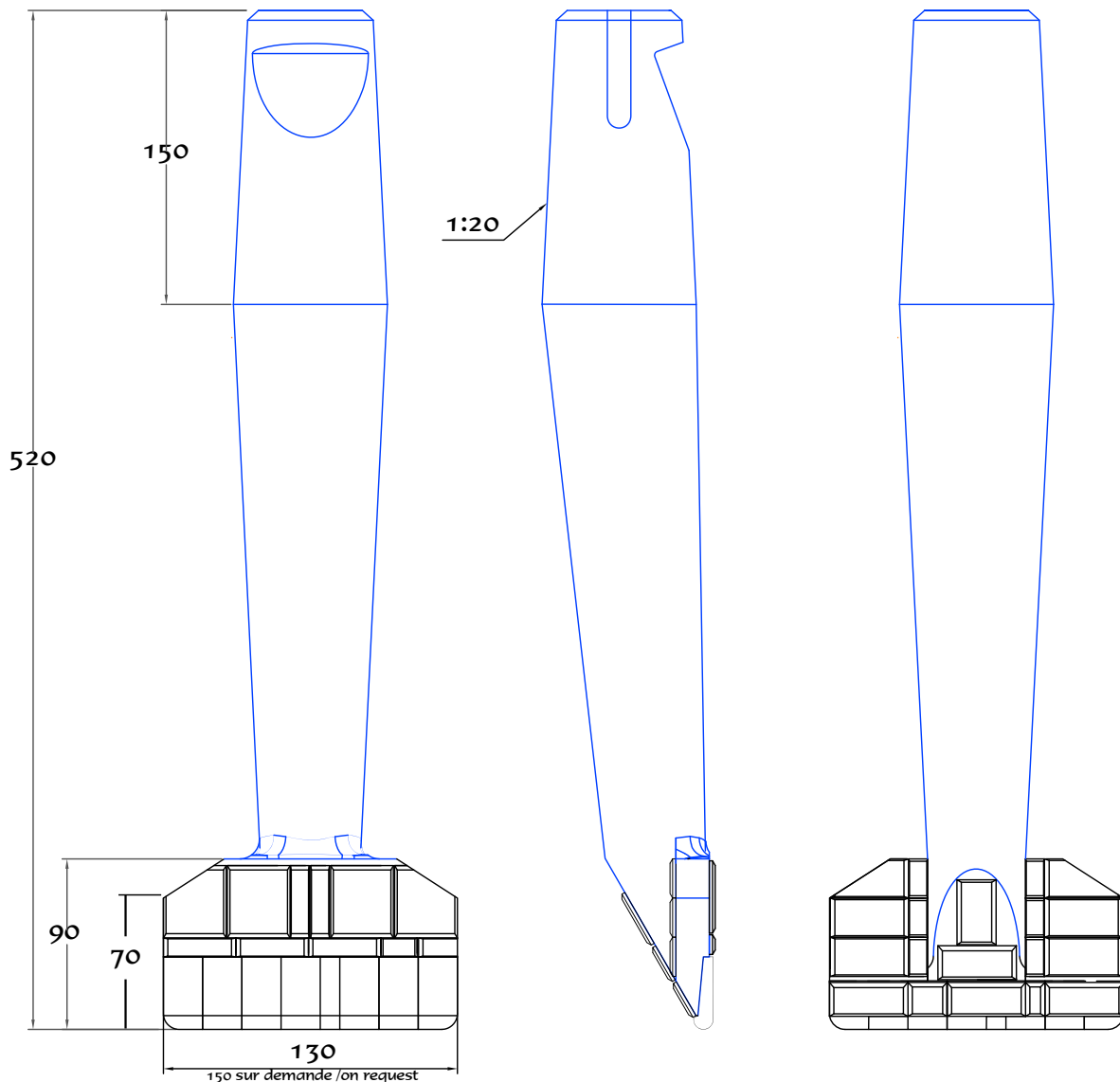
DESSIN NON CONTRACTUEL / NON CONTRACTUAL DRAWING

- Product quality is of paramount importance to us. Therefore we are certified to EN ISO 9001 since more than a decade. Recently we have been certified to EN ISO 14001 and OHSAS 18001 focusing our commitment to the environment as well as to health and safety.
- Certifiés EN-ISO 9001, En-ISO 14001 et OHSAS 18001, pour un service toujours amélioré et un respect des personnes et de l'environnement.



## MK166

Pour machines Plasser & Theurer  
For Plasser & Theurer Tamping Machines  
08/475-4S (93->), 09/16 4S, 108-32/275

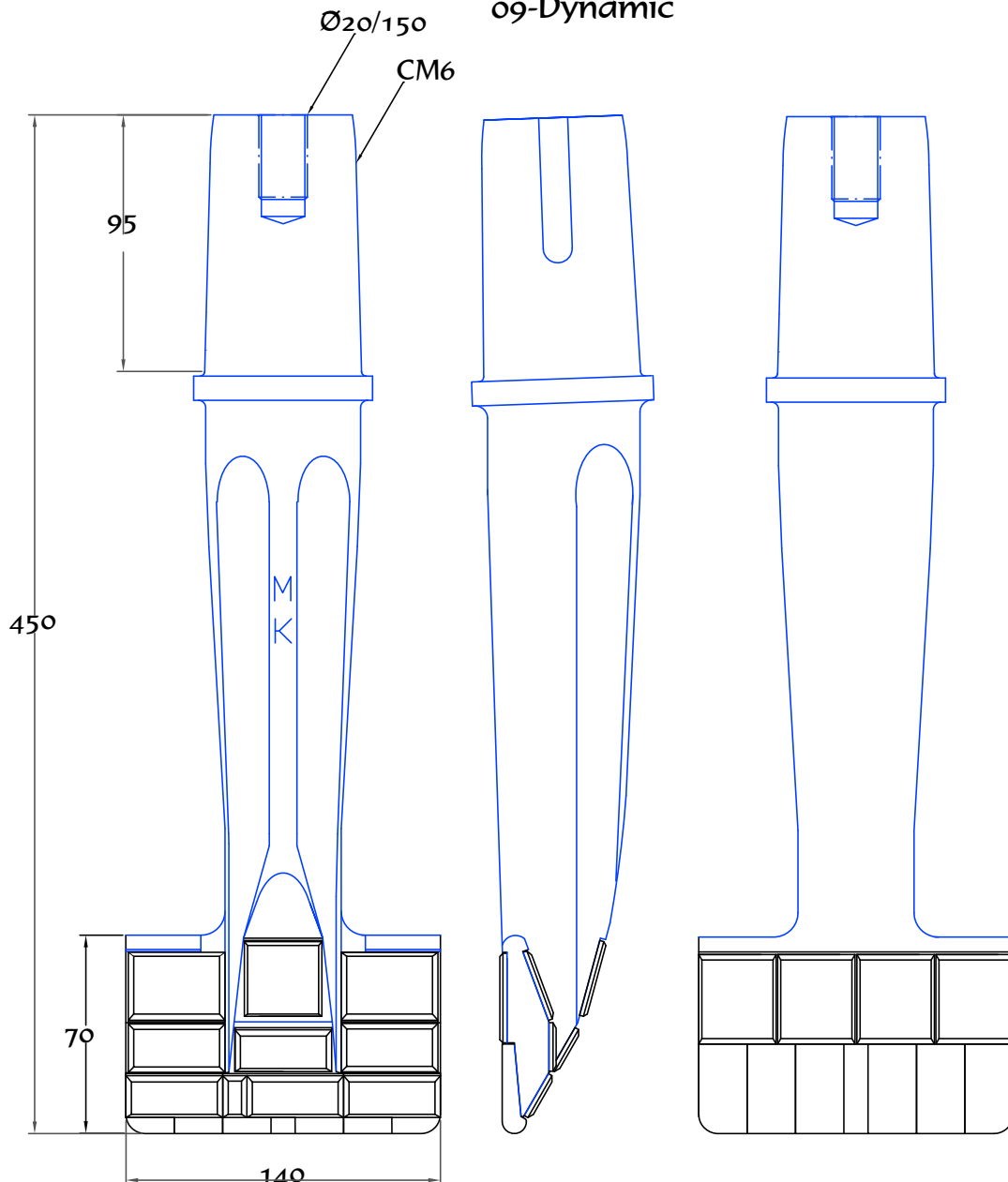


- Product quality is of paramount importance to us. Therefore we are certified to EN ISO 9001 since more than a decade. Recently we have been certified to EN ISO 14001 and OHSAS 18001 focusing our commitment to the environment as well as to health and safety.
- Certifiés EN-ISO 9001, En-ISO 14001 et OHSAS 18001, pour un service toujours amélioré et un respect des personnes et de l'environnement.



## MK211R

Pour machines Plasser & Theurer  
For Plasser & Theurer Tamping Machines  
08/32 U, 09/16 CSM, 09/32 CSM  
09-Dynamic



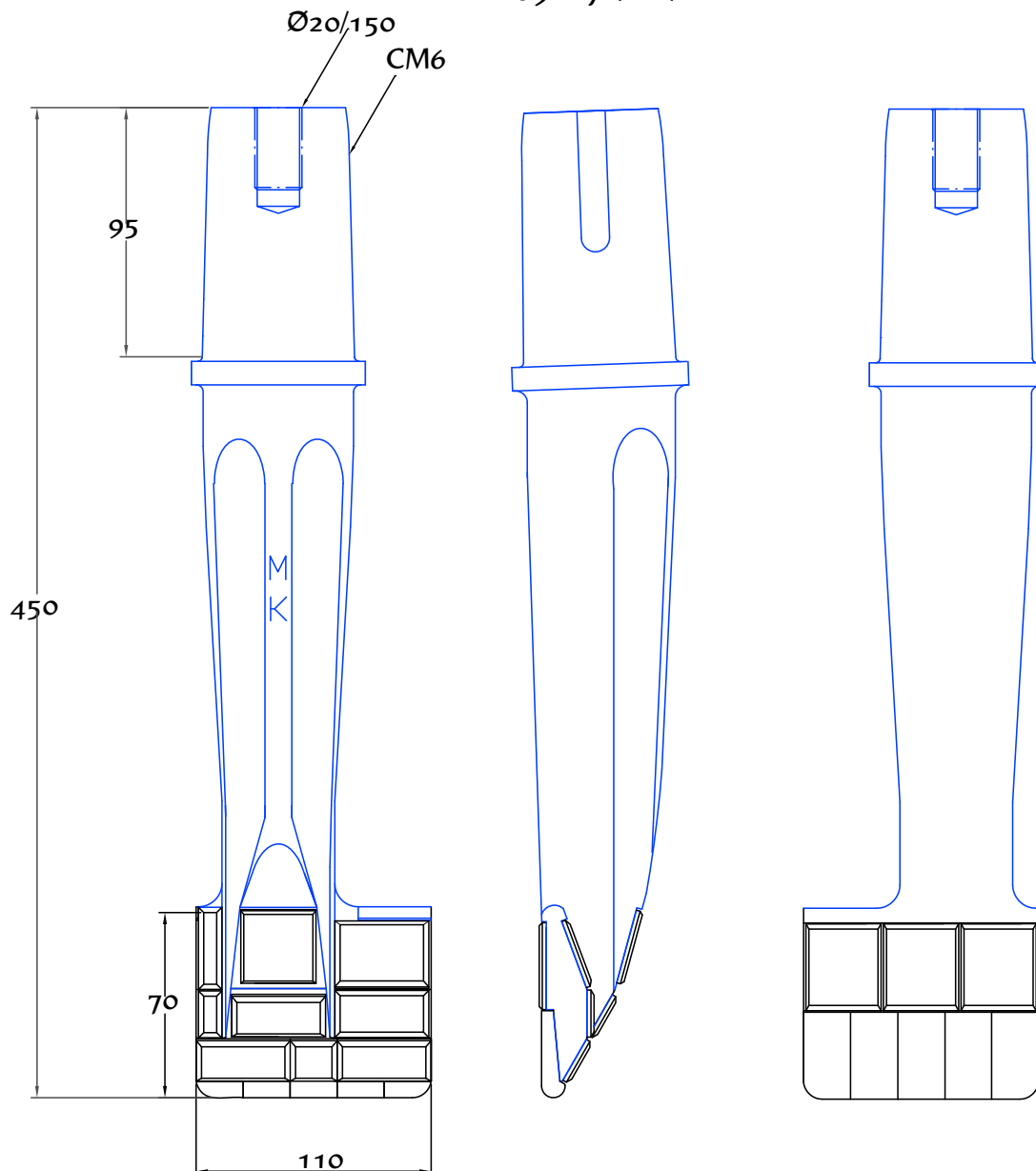
DESSIN NON CONTRACTUEL / NON CONTRACTUAL DRAWING

- Product quality is of paramount importance to us. Therefore we are certified to EN ISO 9001 since more than a decade. Recently we have been certified to EN ISO 14001 and OHSAS 18001 focusing our commitment to the environment as well as to health and safety.
- Certifiés EN-ISO 9001, En-ISO 14001 et OHSAS 18001, pour un service toujours amélioré et un respect des personnes et de l'environnement.



## MK212R

Pour machines Plasser & Theurer  
For Plasser & Theurer Tamping Machines  
08/32 U, 09/16 CSM, 09/32 CSM  
09-Dynamic



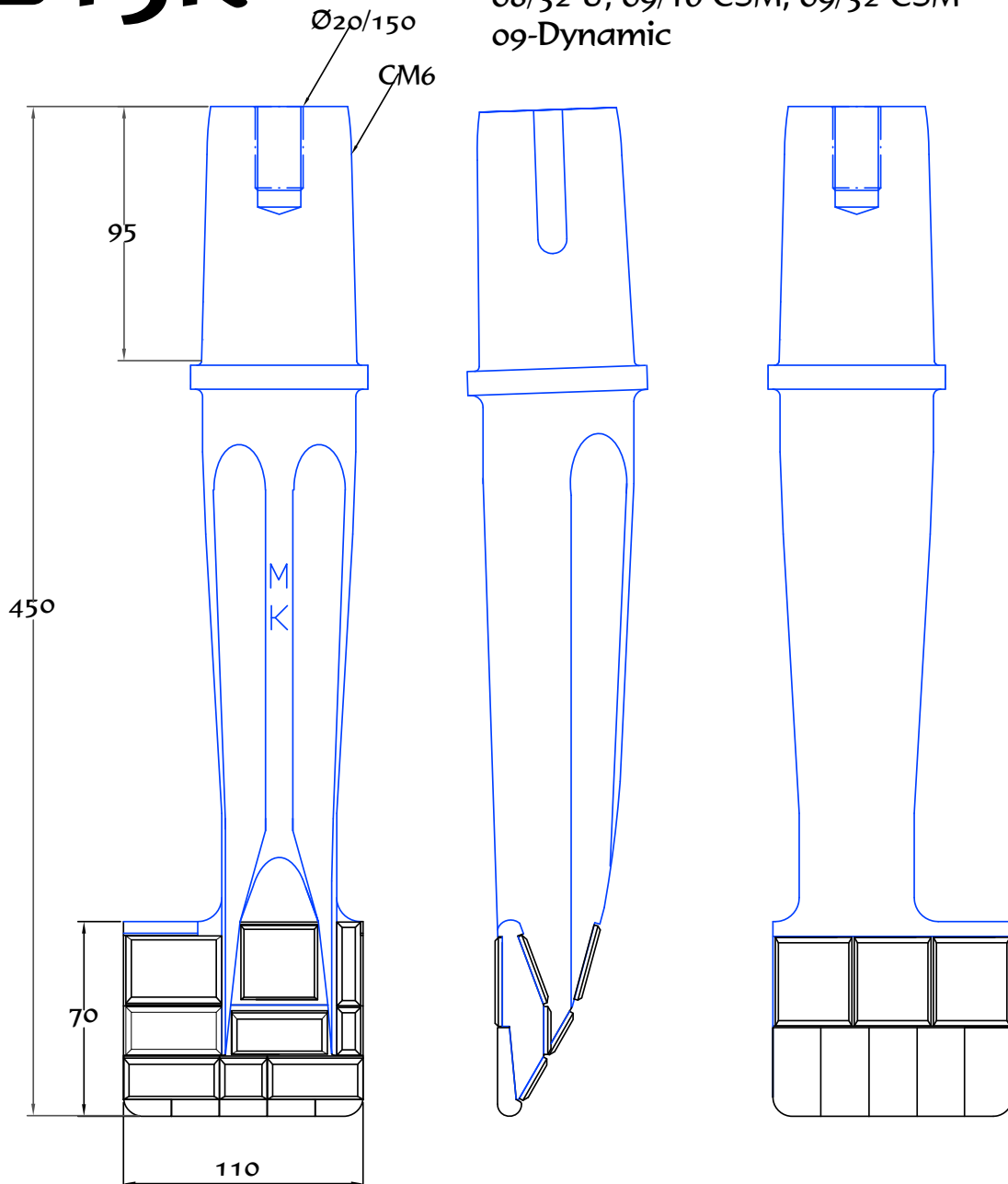
DESSIN NON CONTRACTUEL / NON CONTRACTUAL DRAWING

- Product quality is of paramount importance to us. Therefore we are certified to EN ISO 9001 since more than a decade. Recently we have been certified to EN ISO 14001 and OHSAS 18001 focusing our commitment to the environment as well as to health and safety.
- Certifiés EN-ISO 9001, En-ISO 14001 et OHSAS 18001, pour un service toujours amélioré et un respect des personnes et de l'environnement.



## MK213R

Pour machines Plasser & Theurer  
For Plasser & Theurer Tamping Machines  
08/32 U, 09/16 CSM, 09/32 CSM  
09-Dynamic



DESSIN NON CONTRACTUEL / NON CONTRACTUAL DRAWING

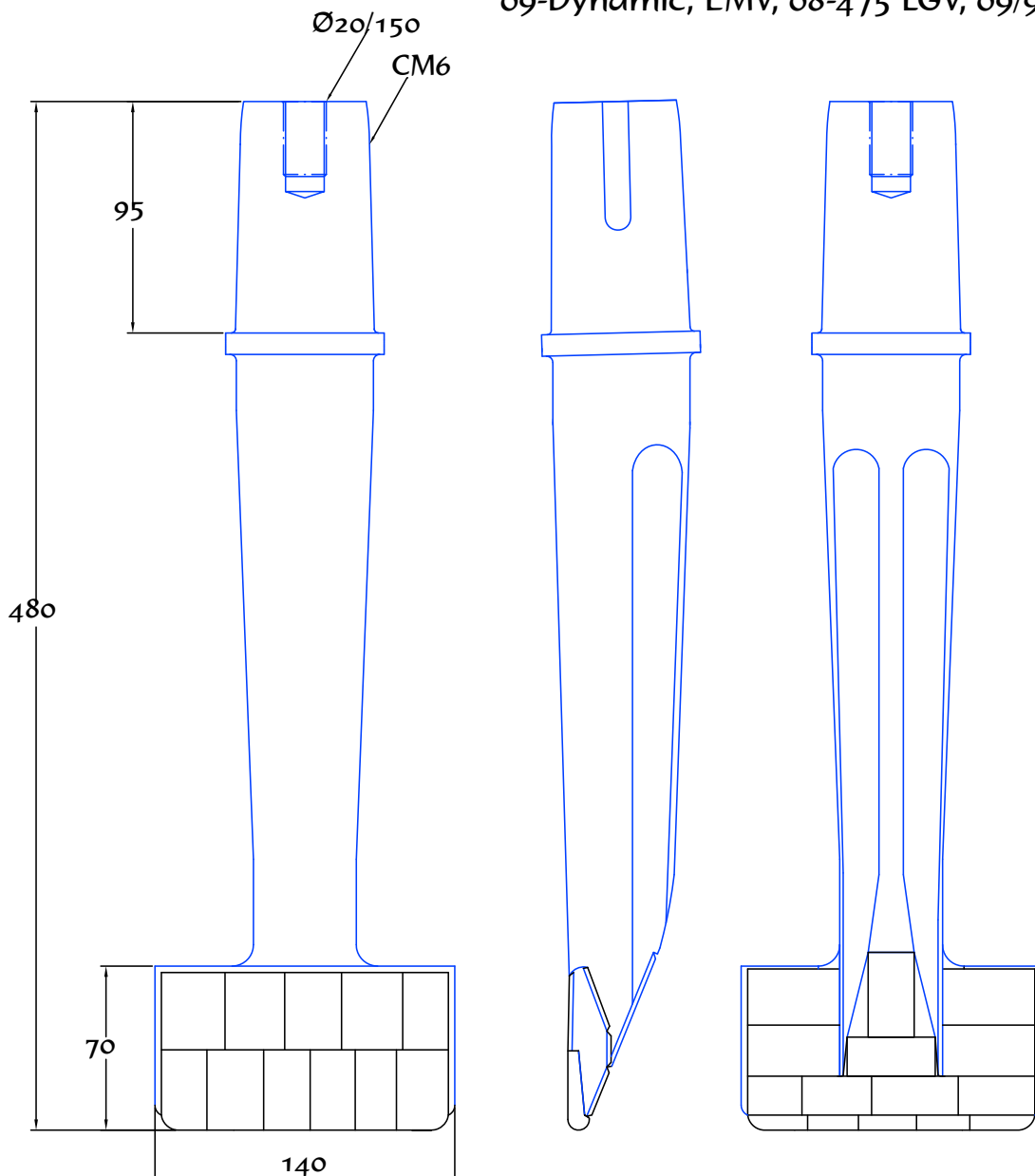


- Product quality is of paramount importance to us. Therefore we are certified to EN ISO 9001 since more than a decade. Recently we have been certified to EN ISO 14001 and OHSAS 18001 focusing our commitment to the environment as well as to health and safety.
- Certifiés EN-ISO 9001, En-ISO 14001 et OHSAS 18001, pour un service toujours amélioré et un respect des personnes et de l'environnement.



## MK221R

Pour machines Plasser & Theurer  
For Plasser & Theurer Tamping Machines  
07/16, 08/32, 08/32 U, 09/16 CSM, 09/32 CSM  
09-Dynamic, EMV, 08-475 LGV, 09/90, 108-475



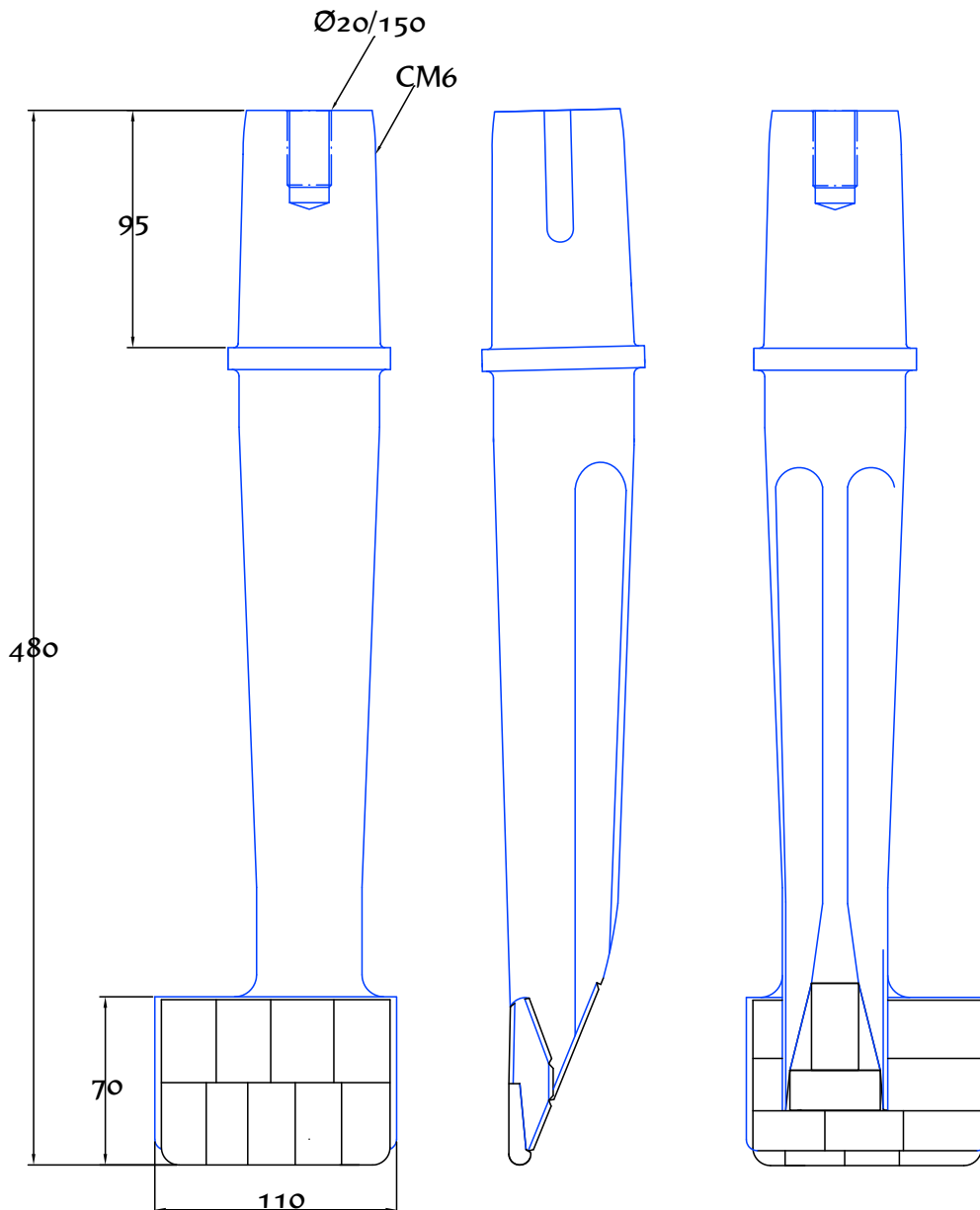
DESSIN NON CONTRACTUEL / NON CONTRACTUAL DRAWING

- Product quality is of paramount importance to us. Therefore we are certified to EN ISO 9001 since more than a decade. Recently we have been certified to EN ISO 14001 and OHSAS 18001 focusing our commitment to the environment as well as to health and safety.
- Certifiés EN-ISO 9001, En-ISO 14001 et OHSAS 18001, pour un service toujours amélioré et un respect des personnes et de l'environnement.



## MK222R

Pour machines Plasser & Theurer  
For Plasser & Theurer Tamping Machines  
07/16, 08/32, 08/32 U, 09/16 CSM, 09/32 CSM  
09-Dynamic, 09/90



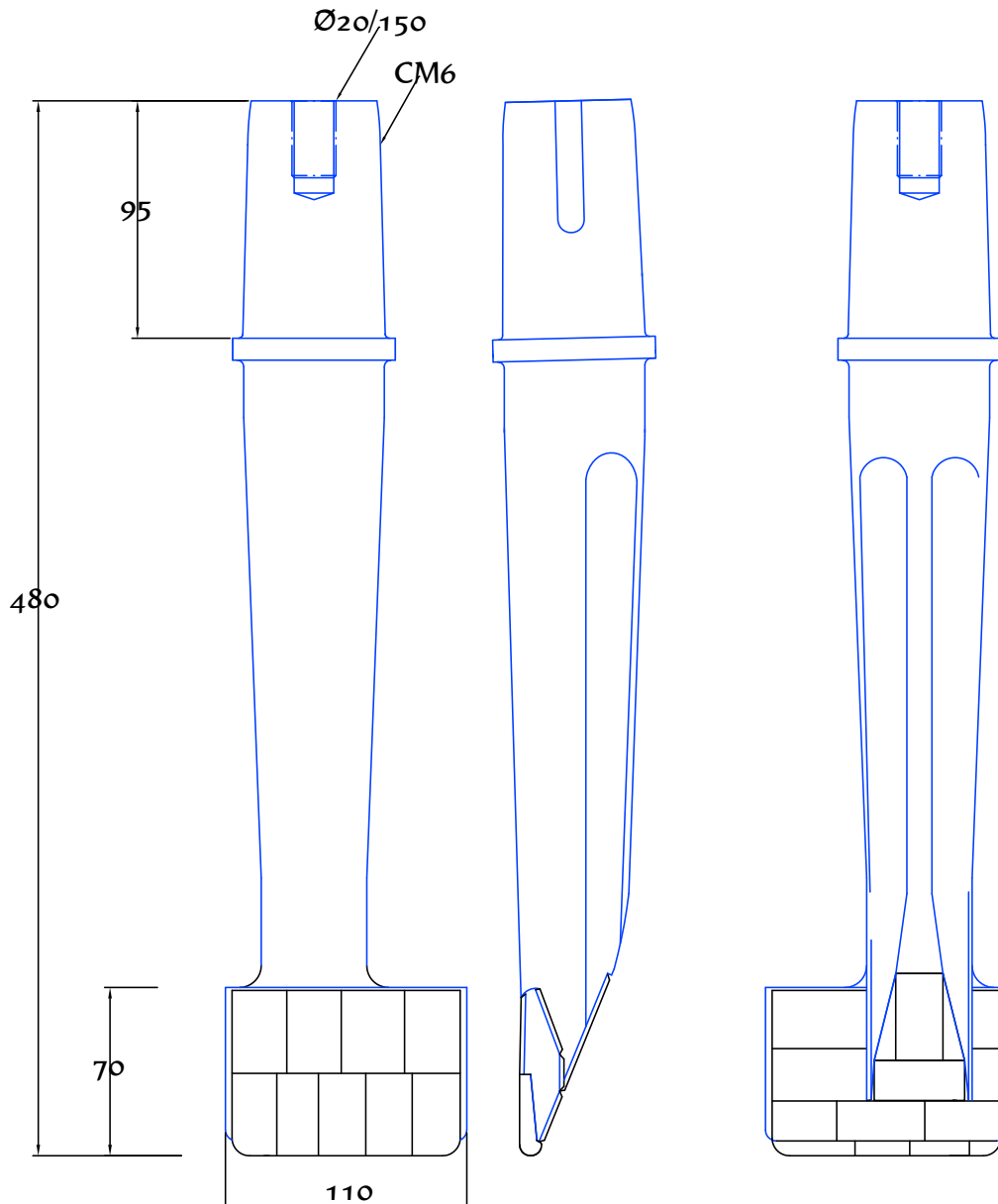
DESSIN NON CONTRACTUEL / NON CONTRACTUAL DRAWING

- Product quality is of paramount importance to us. Therefore we are certified to EN ISO 9001 since more than a decade. Recently we have been certified to EN ISO 14001 and OHSAS 18001 focusing our commitment to the environment as well as to health and safety.
- Certifiés EN-ISO 9001, En-ISO 14001 et OHSAS 18001, pour un service toujours amélioré et un respect des personnes et de l'environnement.



## MK223R

Pour machines Plasser & Theurer  
For Plasser & Theurer Tamping Machines  
07/16, 08/32, 08/32 U, 09/16 CSM, 09/32 CSM  
09-Dynamic, 09/90



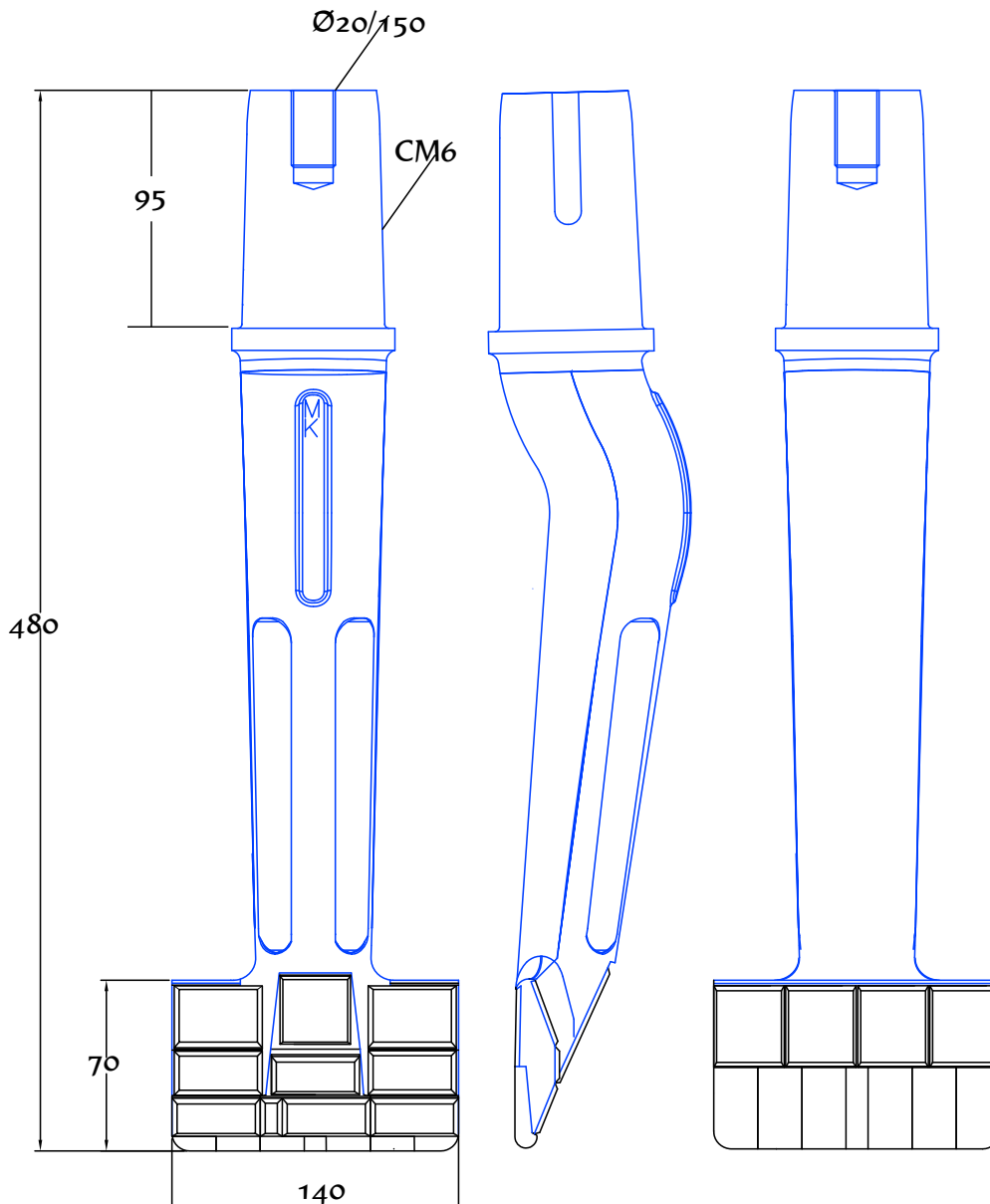
DESSIN NON CONTRACTUEL / NON CONTRACTUAL DRAWING

- Product quality is of paramount importance to us. Therefore we are certified to EN ISO 9001 since more than a decade. Recently we have been certified to EN ISO 14001 and OHSAS 18001 focusing our commitment to the environment as well as to health and safety.
- Certifiés EN-ISO 9001, En-ISO 14001 et OHSAS 18001, pour un service toujours amélioré et un respect des personnes et de l'environnement.



## MK221RDL

Pour machines Plasser & Theurer  
For Plasser & Theurer Tamping Machines  
08/32, 08/32 U, 09/32 CSM  
09-Dynamic, 09/90



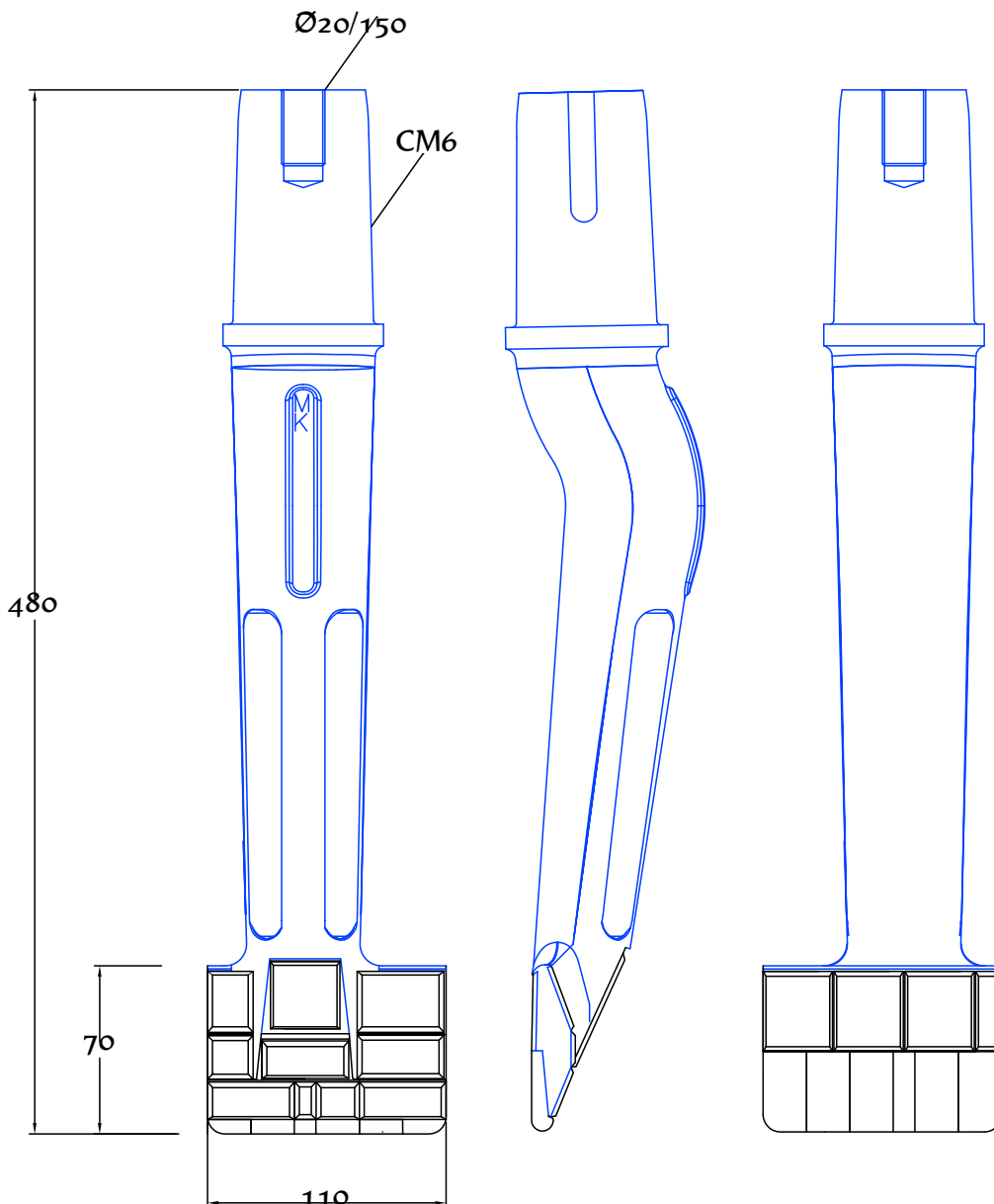
DESSIN NON CONTRACTUEL / NON CONTRACTUAL DRAWING

- Product quality is of paramount importance to us. Therefore we are certified to EN ISO 9001 since more than a decade. Recently we have been certified to EN ISO 14001 and OHSAS 18001 focusing our commitment to the environment as well as to health and safety.
- Certifiés EN-ISO 9001, En-ISO 14001 et OHSAS 18001, pour un service toujours amélioré et un respect des personnes et de l'environnement.



## MK222RDL

Pour machines Plasser & Theurer  
For Plasser & Theurer Tamping Machines  
08/32, 08/32 U, 09/32 CSM  
09-Dynamic, 09/90



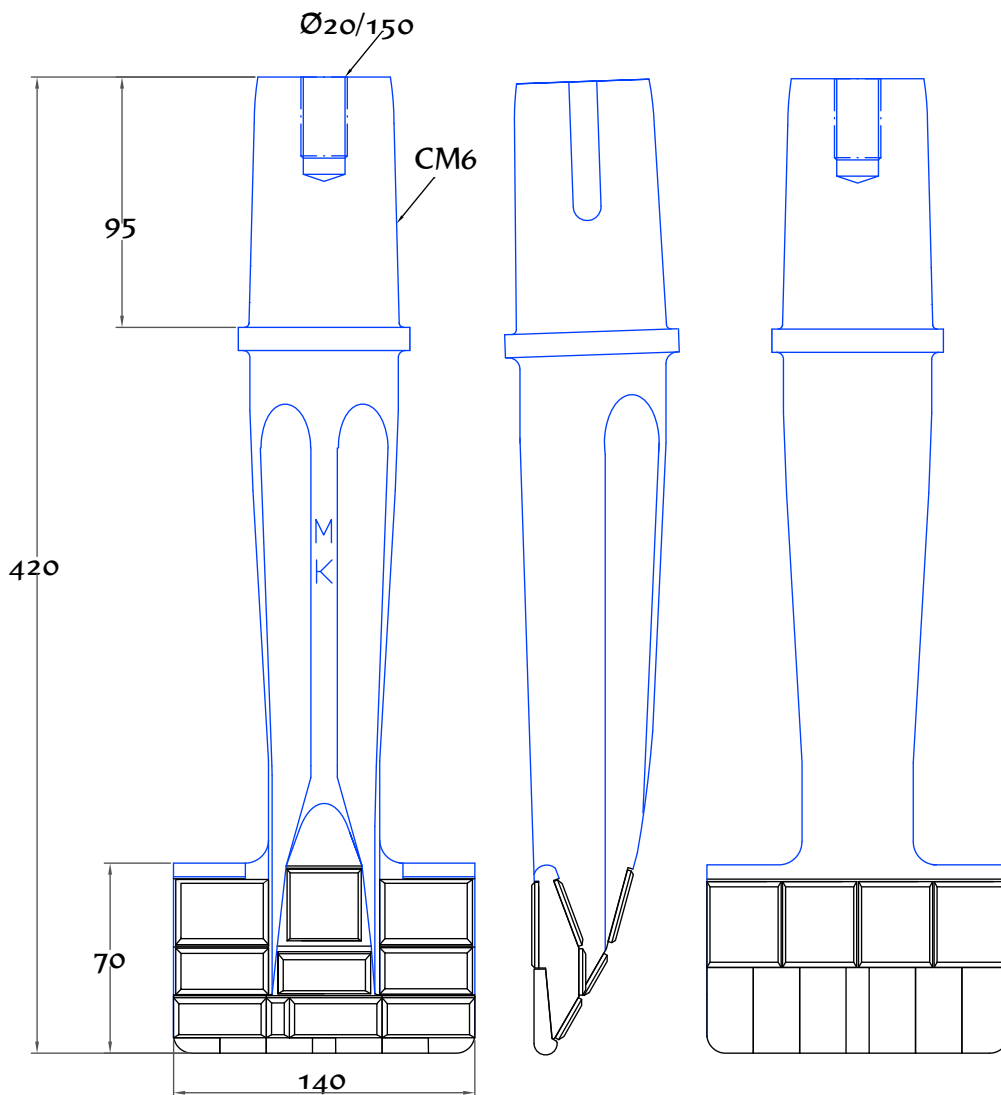
DESSIN NON CONTRACTUEL / NON CONTRACTUAL DRAWING

- Product quality is of paramount importance to us. Therefore we are certified to EN ISO 9001 since more than a decade. Recently we have been certified to EN ISO 14001 and OHSAS 18001 focusing our commitment to the environment as well as to health and safety.
- Certifiés EN-ISO 9001, En-ISO 14001 et OHSAS 18001, pour un service toujours amélioré et un respect des personnes et de l'environnement.



## MK231R

Pour machines Plasser & Theurer  
For Plasser & Theurer Tamping Machines  
07/12, 07/16, 07/32, 08/16, 08/16ZZ  
Beaver 79/500, Beaver 79/800, Beaver 4-73  
UST 78S, MTM 700, AST ,  
Voie étroite (narrow gauge) 09/16 and 09/32



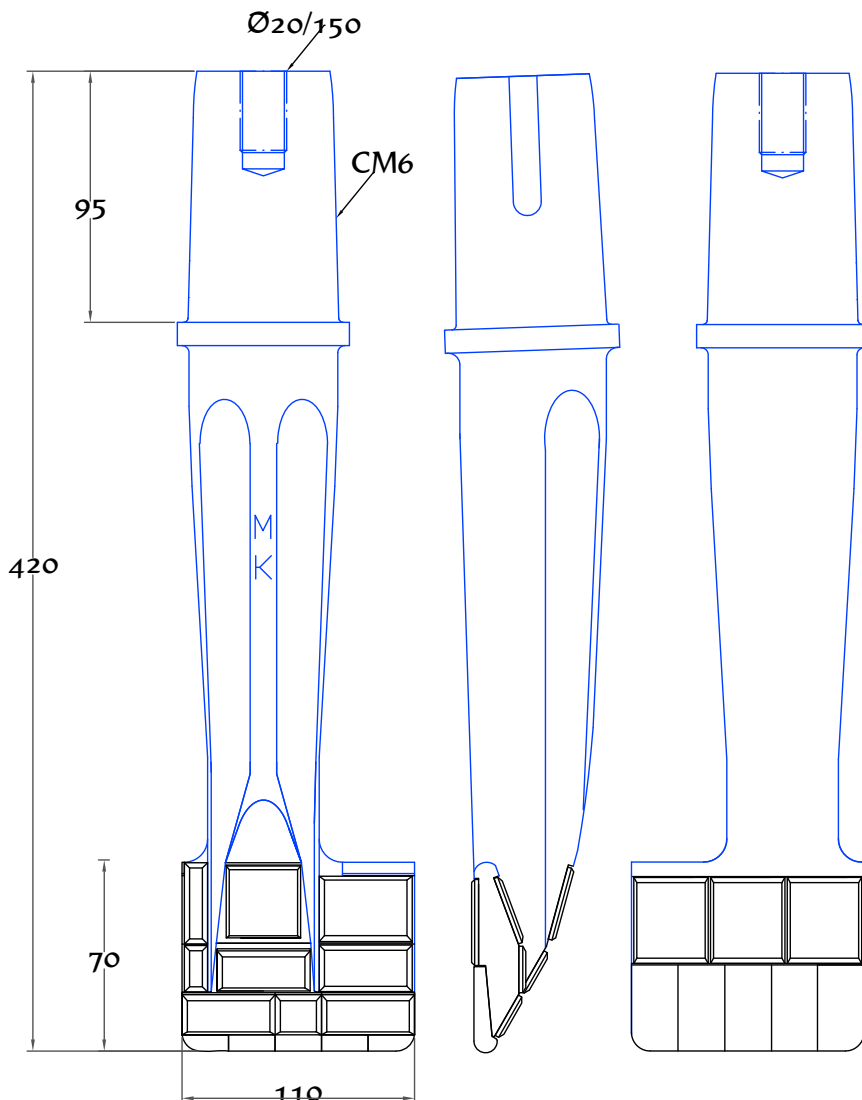
DESSIN NON CONTRACTUEL / NON CONTRACTUAL DRAWING

- Product quality is of paramount importance to us. Therefore we are certified to EN ISO 9001 since more than a decade. Recently we have been certified to EN ISO 14001 and OHSAS 18001 focusing our commitment to the environment as well as to health and safety.
- Certifiés EN-ISO 9001, En-ISO 14001 et OHSAS 18001, pour un service toujours amélioré et un respect des personnes et de l'environnement.



## MK232R

Pour machines Plasser & Theurer  
For Plasser & Theurer Tamping Machines  
07/12, 07/16, 07/32, 08/16, 08/16ZZ  
Beaver 79/500, Beaver 79/800, Beaver 4-73  
UST 78S, MTM 700, AST ,  
Voie étroite (narrow gauge) 09/16 and 09/32

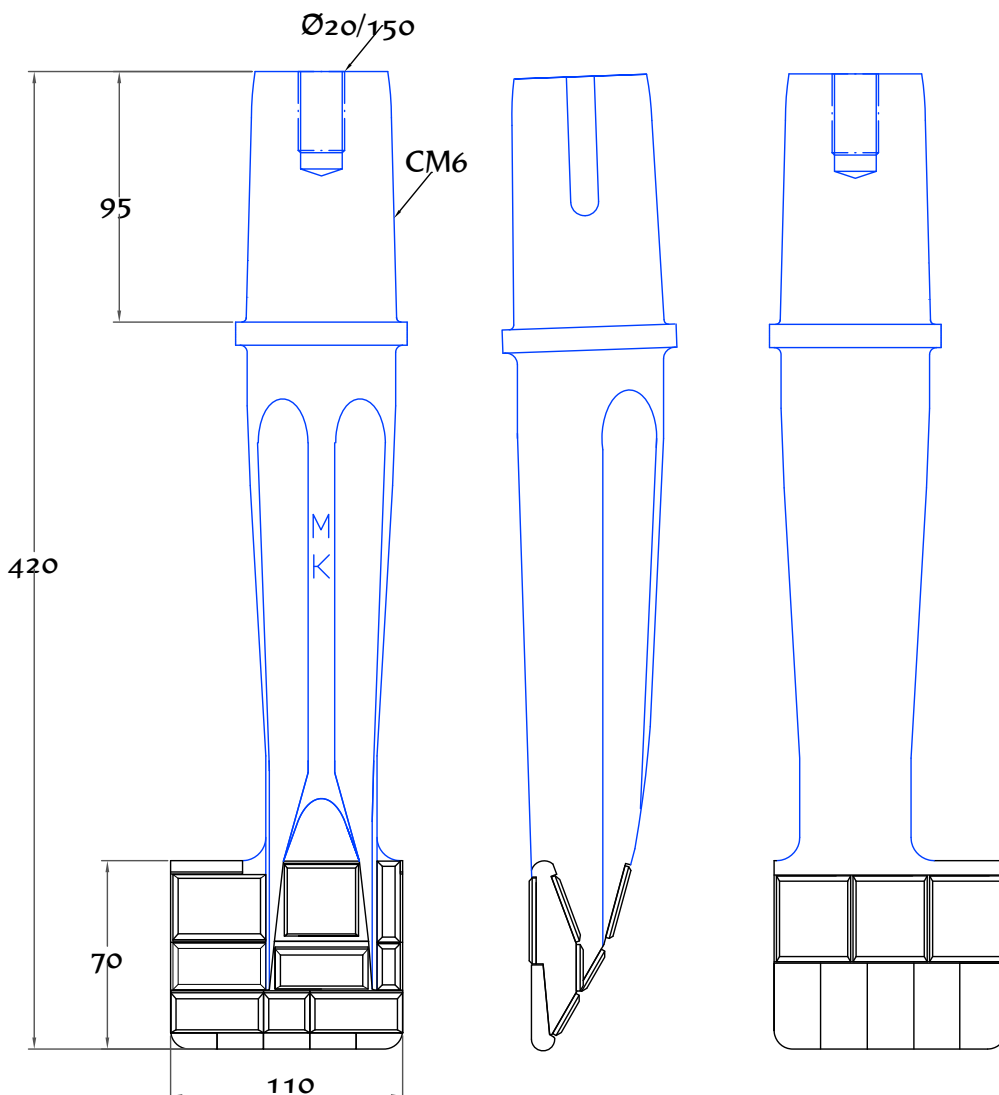


- Product quality is of paramount importance to us. Therefore we are certified to EN ISO 9001 since more than a decade. Recently we have been certified to EN ISO 14001 and OHSAS 18001 focusing our commitment to the environment as well as to health and safety.
- Certifiés EN-ISO 9001, En-ISO 14001 et OHSAS 18001, pour un service toujours amélioré et un respect des personnes et de l'environnement.



## MK233R

Pour machines Plasser & Theurer  
For Plasser & Theurer Tamping Machines  
07/12, 07/16, 07/32, 08/16, 08/16ZZ  
Beaver 79/500, Beaver 79/800, Beaver 4-73  
UST 78S, MTM 700, AST ,  
Voie étroite (narrow gauge) 09/16 and 09/32



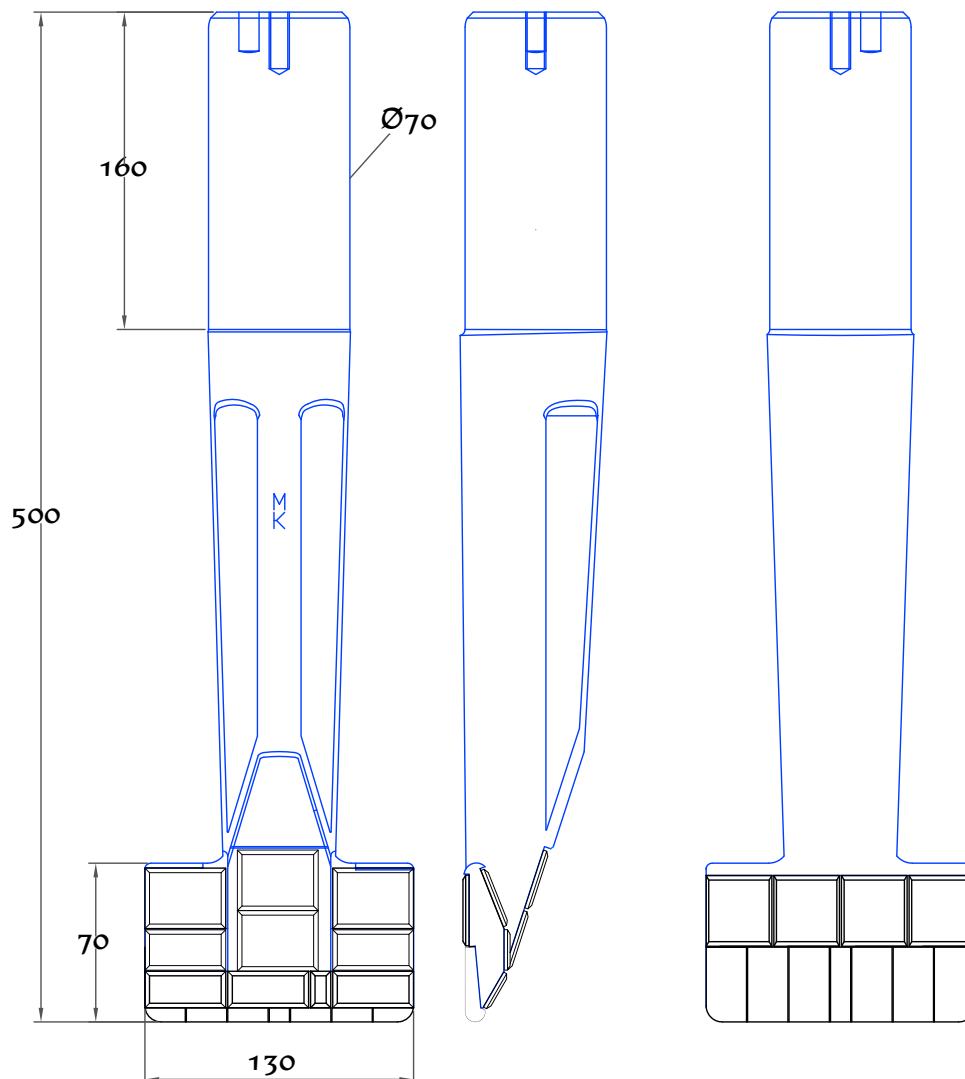


- Product quality is of paramount importance to us. Therefore we are certified to EN ISO 9001 since more than a decade. Recently we have been certified to EN ISO 14001 and OHSAS 18001 focusing our commitment to the environment as well as to health and safety.
- Certifiés EN-ISO 9001, En-ISO 14001 et OHSAS 18001, pour un service toujours amélioré et un respect des personnes et de l'environnement.



## MK241R

Pour machines Plasser & Theurer  
For Plasser & Theurer Tamping Machines  
STOPFEXPRESS 09-3X, STOPFEXPRESS 09-4X,  
09-2X, 09/16 4S (after 2001), 08/16 (after 2002),  
08/475-4S (after 2001), 4X4 (before 2001),  
4S-RT (after 2001), 4X4C 100-RT (after 2002)



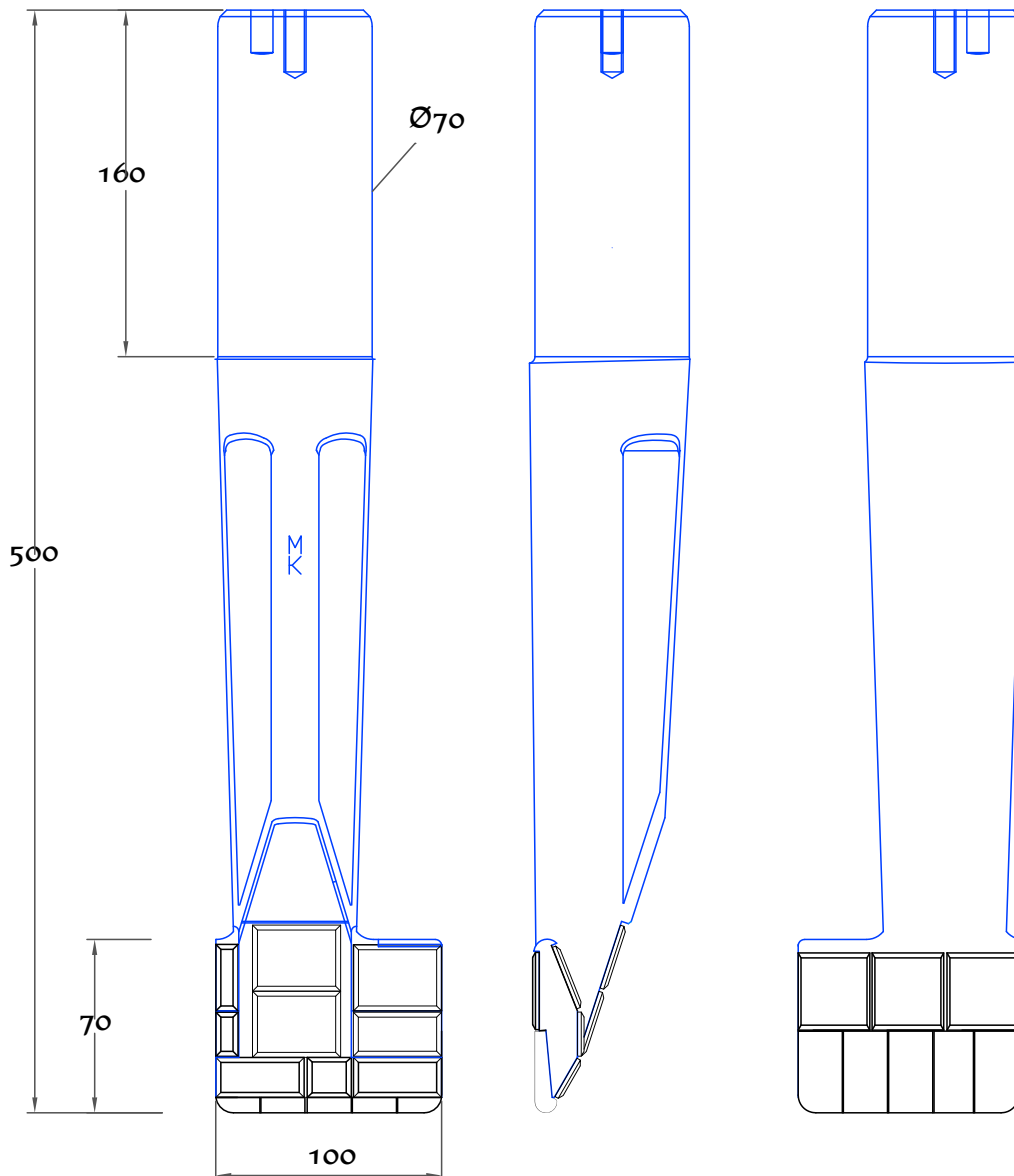
DESSIN NON CONTRACTUEL / NON CONTRACTUAL DRAWING

- Product quality is of paramount importance to us. Therefore we are certified to EN ISO 9001 since more than a decade. Recently we have been certified to EN ISO 14001 and OHSAS 18001 focusing our commitment to the environment as well as to health and safety.
- Certifiés EN-ISO 9001, En-ISO 14001 et OHSAS 18001, pour un service toujours amélioré et un respect des personnes et de l'environnement.



## MK244R

Pour machines Plasser & Theurer  
For Plasser & Theurer Tamping Machines  
08/16 (after 2002), 4X4C 100-RT (after 2002)

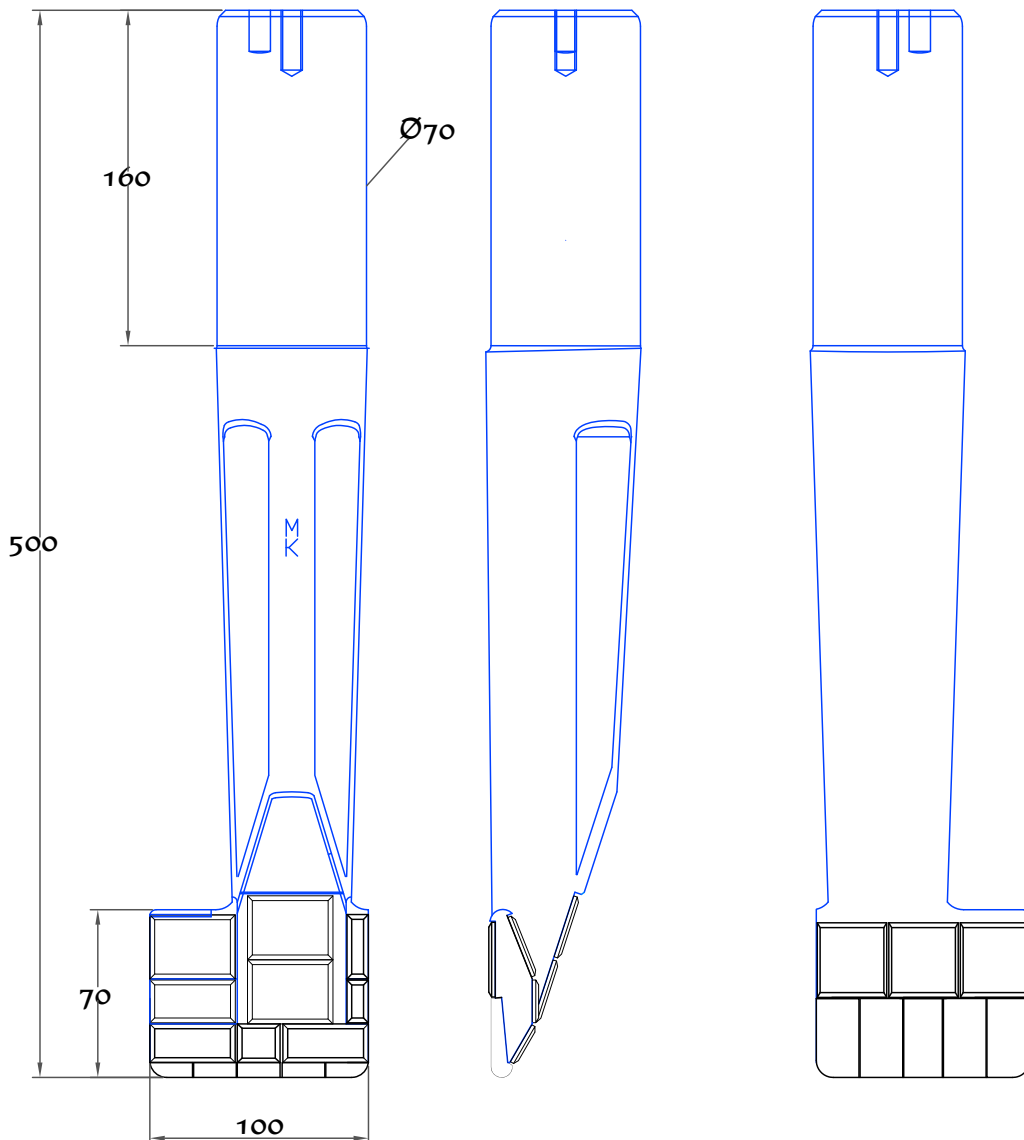


- Product quality is of paramount importance to us. Therefore we are certified to EN ISO 9001 since more than a decade. Recently we have been certified to EN ISO 14001 and OHSAS 18001 focusing our commitment to the environment as well as to health and safety.
- Certifiés EN-ISO 9001, En-ISO 14001 et OHSAS 18001, pour un service toujours amélioré et un respect des personnes et de l'environnement.



## MK245R

Pour machines Plasser & Theurer  
For Plasser & Theurer Tamping Machines  
09-2X, 08/16 (after 2002), STOPFEXPRESS 09-3X,  
STOPFEXPRESS 09-4X, 4X4C 100-RT (after 2002)



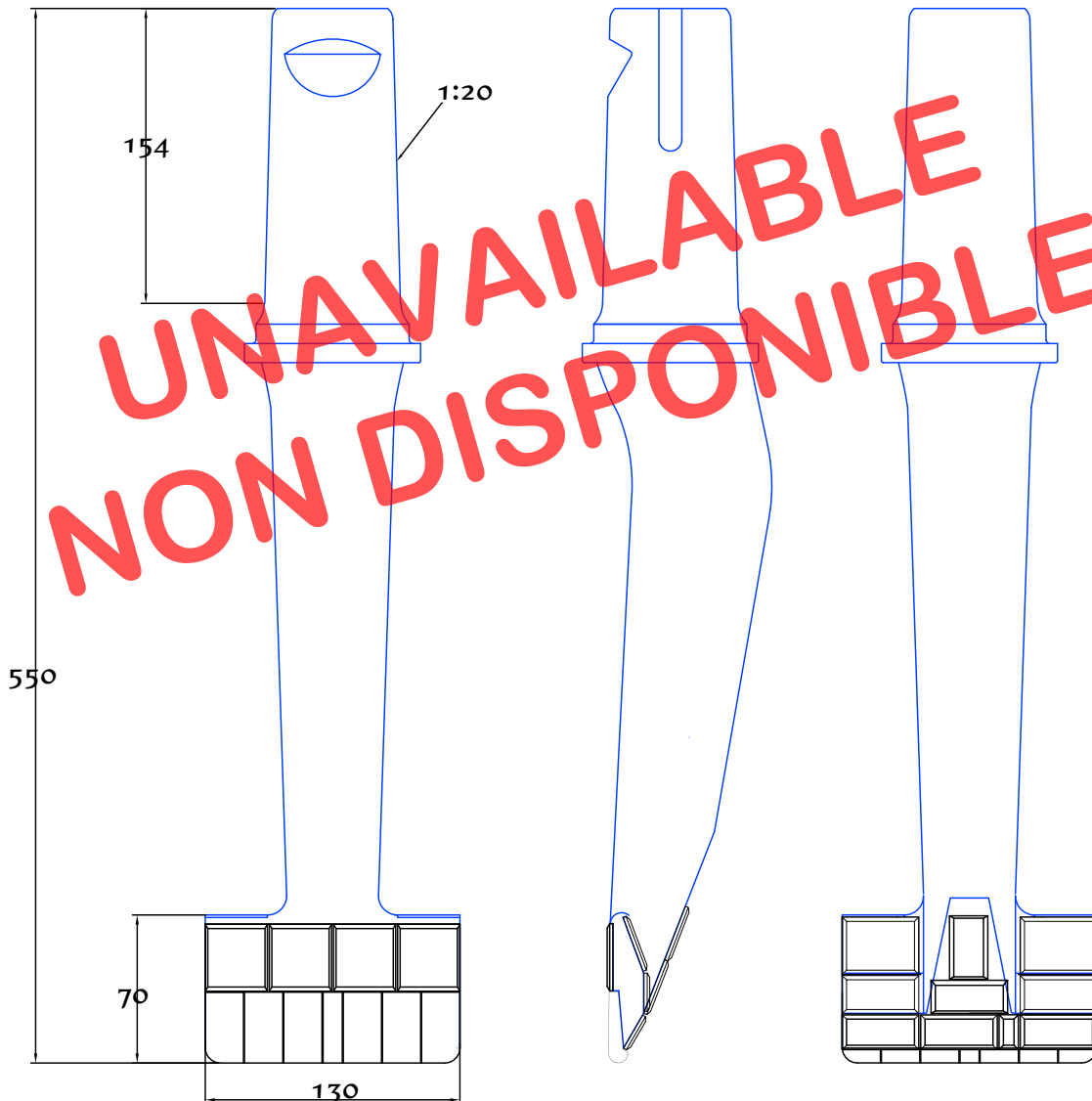
DESSIN NON CONTRACTUEL / NON CONTRACTUAL DRAWING

- Product quality is of paramount importance to us. Therefore we are certified to EN ISO 9001 since more than a decade. Recently we have been certified to EN ISO 14001 and OHSAS 18001 focusing our commitment to the environment as well as to health and safety.
- Certifiés EN-ISO 9001, En-ISO 14001 et OHSAS 18001, pour un service toujours amélioré et un respect des personnes et de l'environnement.



## MK251R

Pour machines Plasser & Theurer  
For Plasser & Theurer Tamping Machines  
09/32-4S, 09/32 CSM (93/95), 108 Framafaer,  
109 Framafaer

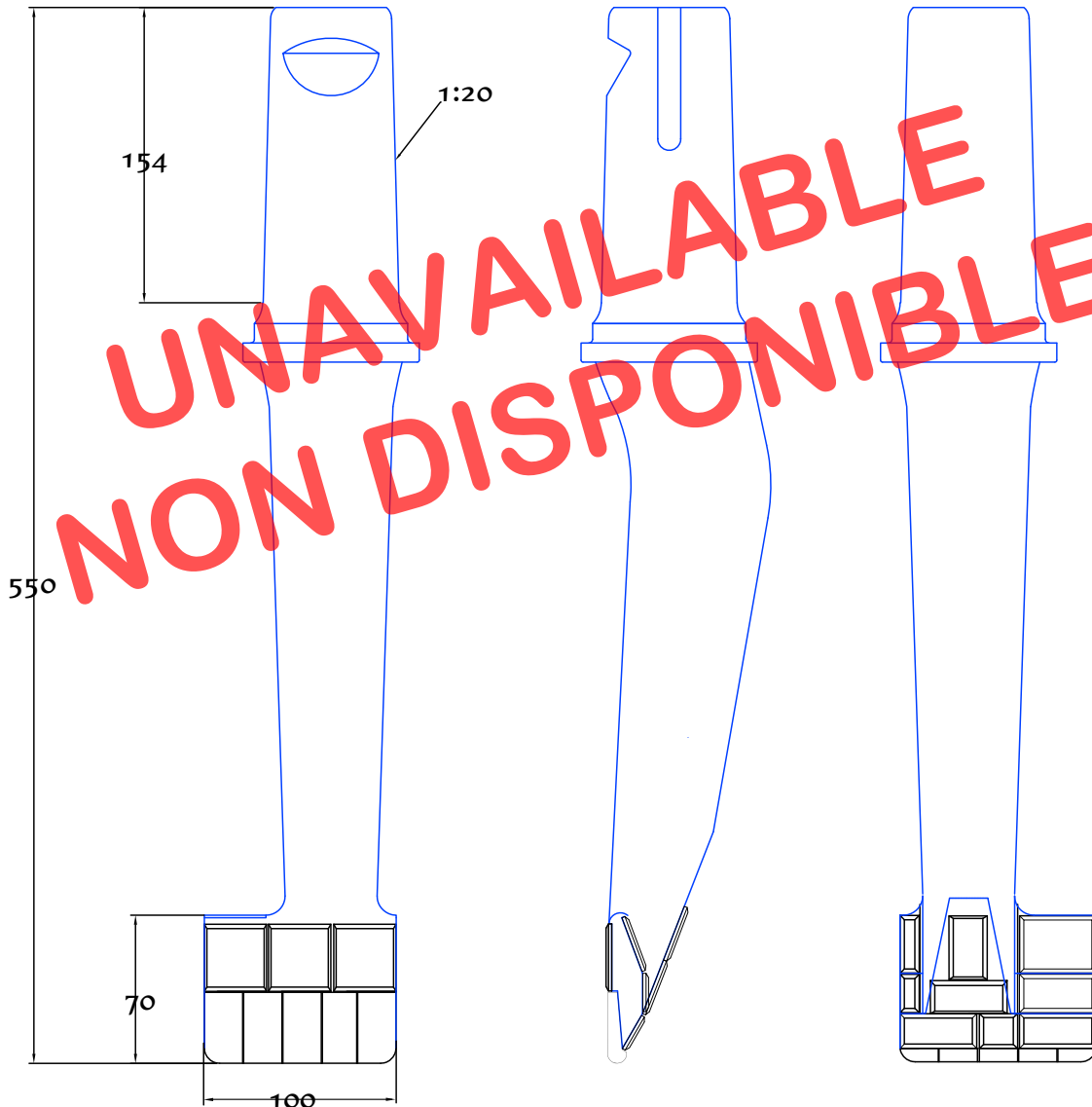


- Product quality is of paramount importance to us. Therefore we are certified to EN ISO 9001 since more than a decade. Recently we have been certified to EN ISO 14001 and OHSAS 18001 focusing our commitment to the environment as well as to health and safety.
- Certifiés EN-ISO 9001, En-ISO 14001 et OHSAS 18001, pour un service toujours amélioré et un respect des personnes et de l'environnement.



## MK252R

Pour machines Plasser & Theurer  
For Plasser & Theurer Tamping Machines  
09/32 CSM (93/95), 109 Framافر

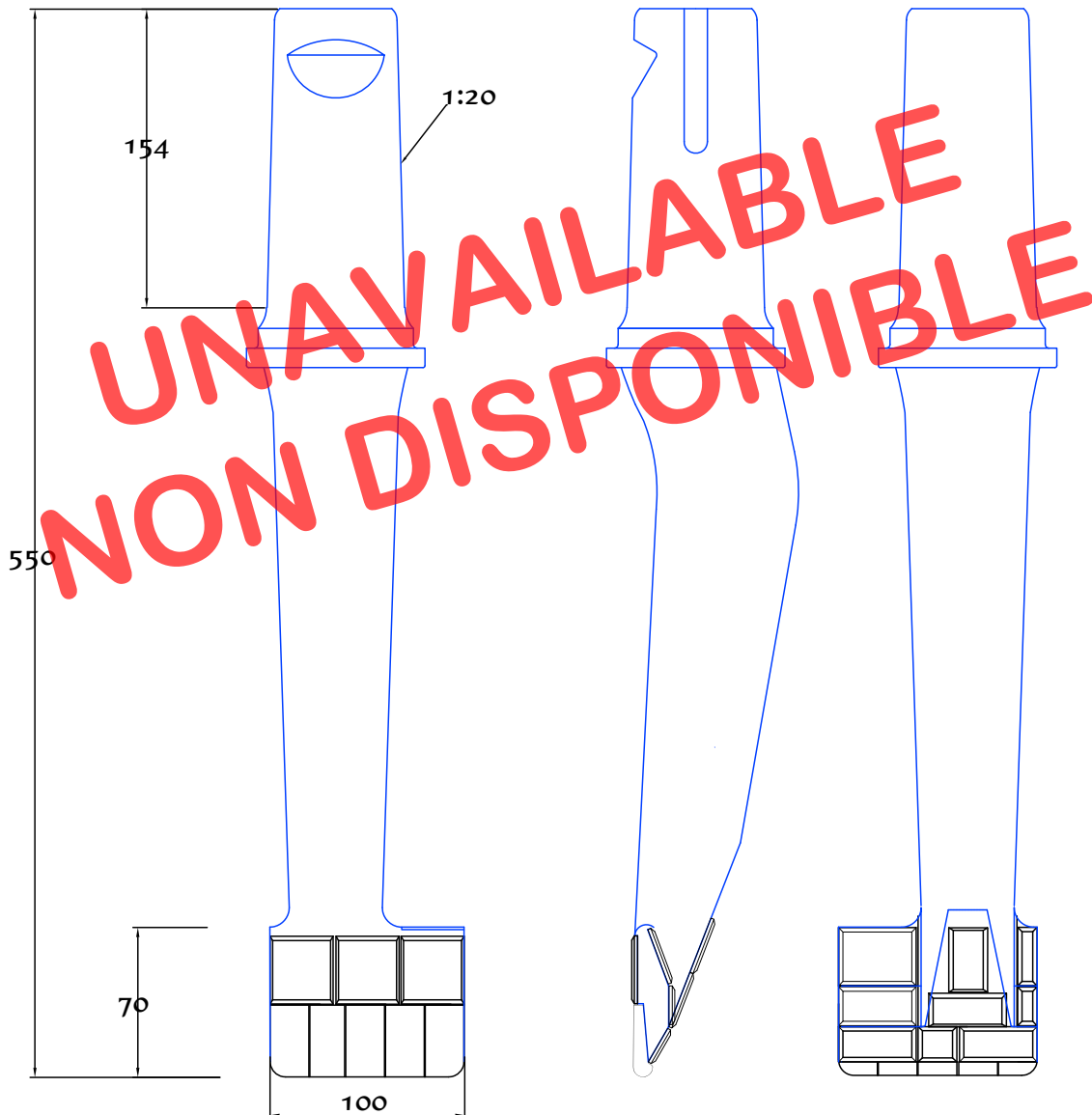


- Product quality is of paramount importance to us. Therefore we are certified to EN ISO 9001 since more than a decade. Recently we have been certified to EN ISO 14001 and OHSAS 18001 focusing our commitment to the environment as well as to health and safety.
- Certifiés EN-ISO 9001, En-ISO 14001 et OHSAS 18001, pour un service toujours amélioré et un respect des personnes et de l'environnement.



## MK253R

Pour machines Plasser & Theurer  
For Plasser & Theurer Tamping Machines  
09/32 CSM (93/95), 109 Framafar



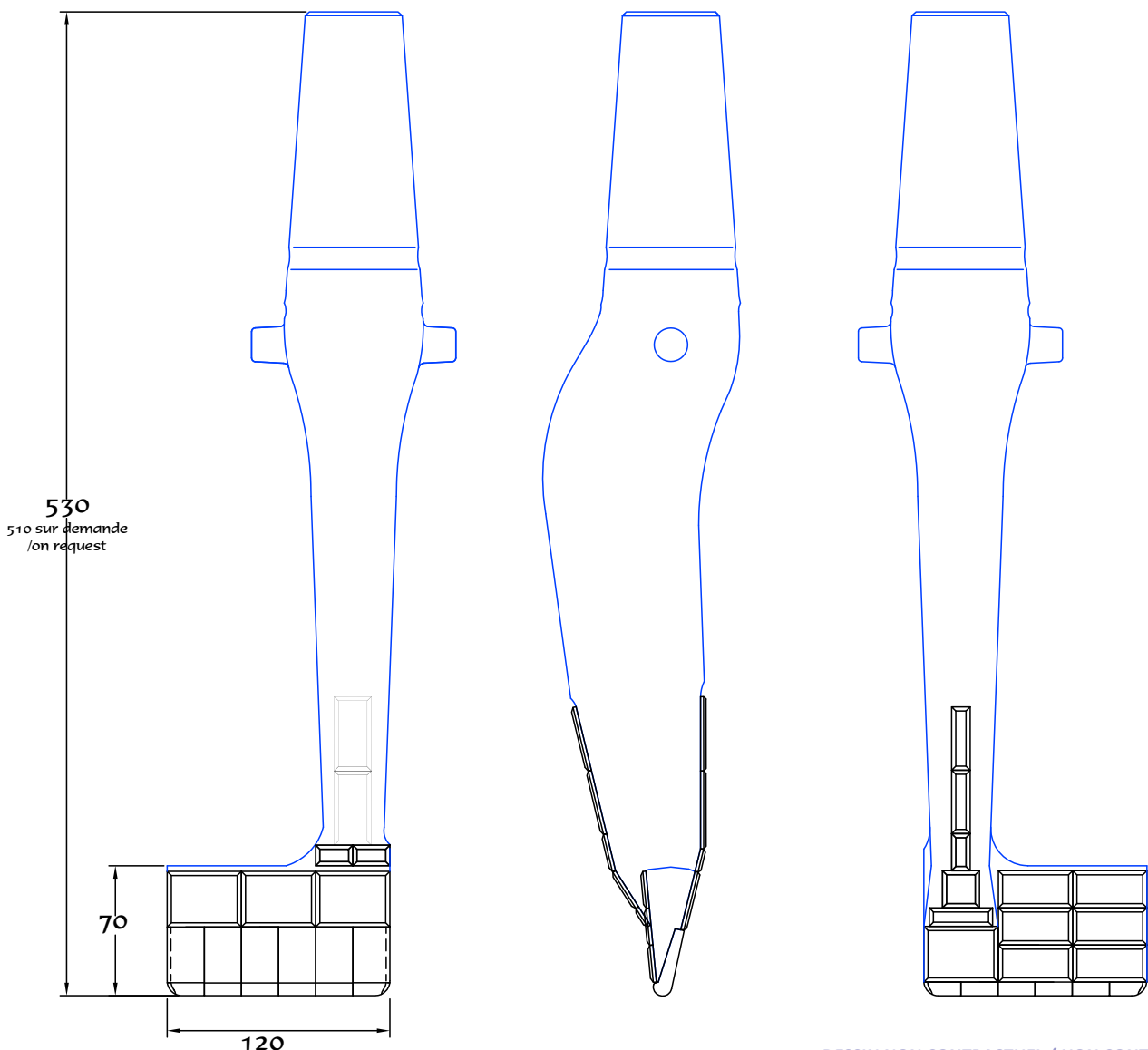
DESSIN NON CONTRACTUEL / NON CONTRACTUAL DRAWING

- Product quality is of paramount importance to us. Therefore we are certified to EN ISO 9001 since more than a decade. Recently we have been certified to EN ISO 14001 and OHSAS 18001 focusing our commitment to the environment as well as to health and safety.
- Certifiés EN-ISO 9001, En-ISO 14001 et OHSAS 18001, pour un service toujours amélioré et un respect des personnes et de l'environnement.



## MK311

Pour machines MATISA  
For MATISATamping Machines  
B20C, B20-75C, B20-95C, B40U, B40UE  
B41U, B41UE, B45UE, B66U  
Oem# 12.70.115.00001 – Pos 1

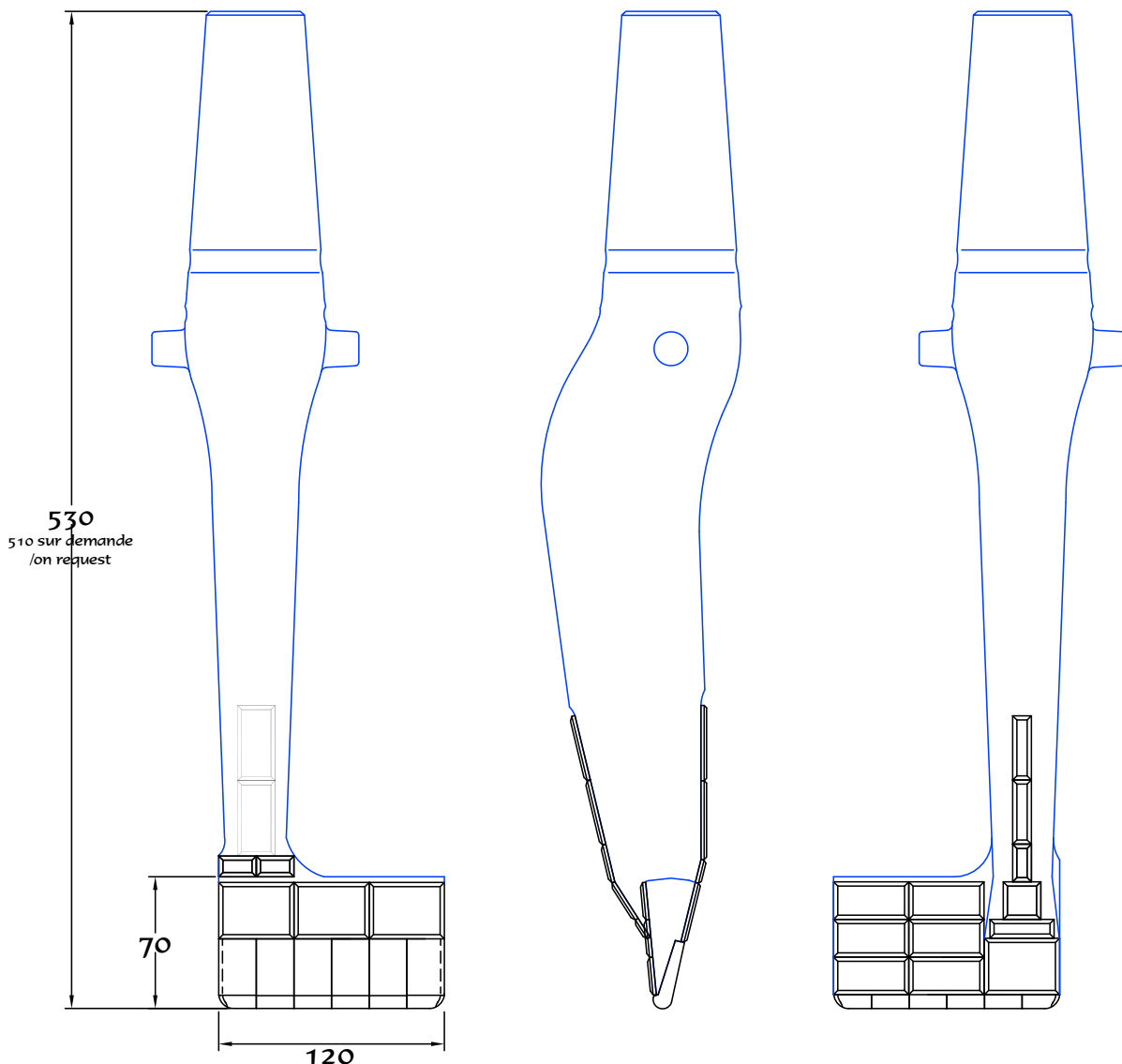


- Product quality is of paramount importance to us. Therefore we are certified to EN ISO 9001 since more than a decade. Recently we have been certified to EN ISO 14001 and OHSAS 18001 focusing our commitment to the environment as well as to health and safety.
- Certifiés EN-ISO 9001, En-ISO 14001 et OHSAS 18001, pour un service toujours amélioré et un respect des personnes et de l'environnement.



## MK312

Pour machines MATISA  
For MATISATamping Machines  
B20C, B20-75C, B20-95C, B40U, B40UE  
B41U, B41UE, B45UE, B66U  
Oem# 12.70.115.00002 – Pos 2



DESSIN NON CONTRACTUEL / NON CONTRACTUAL DRAWING

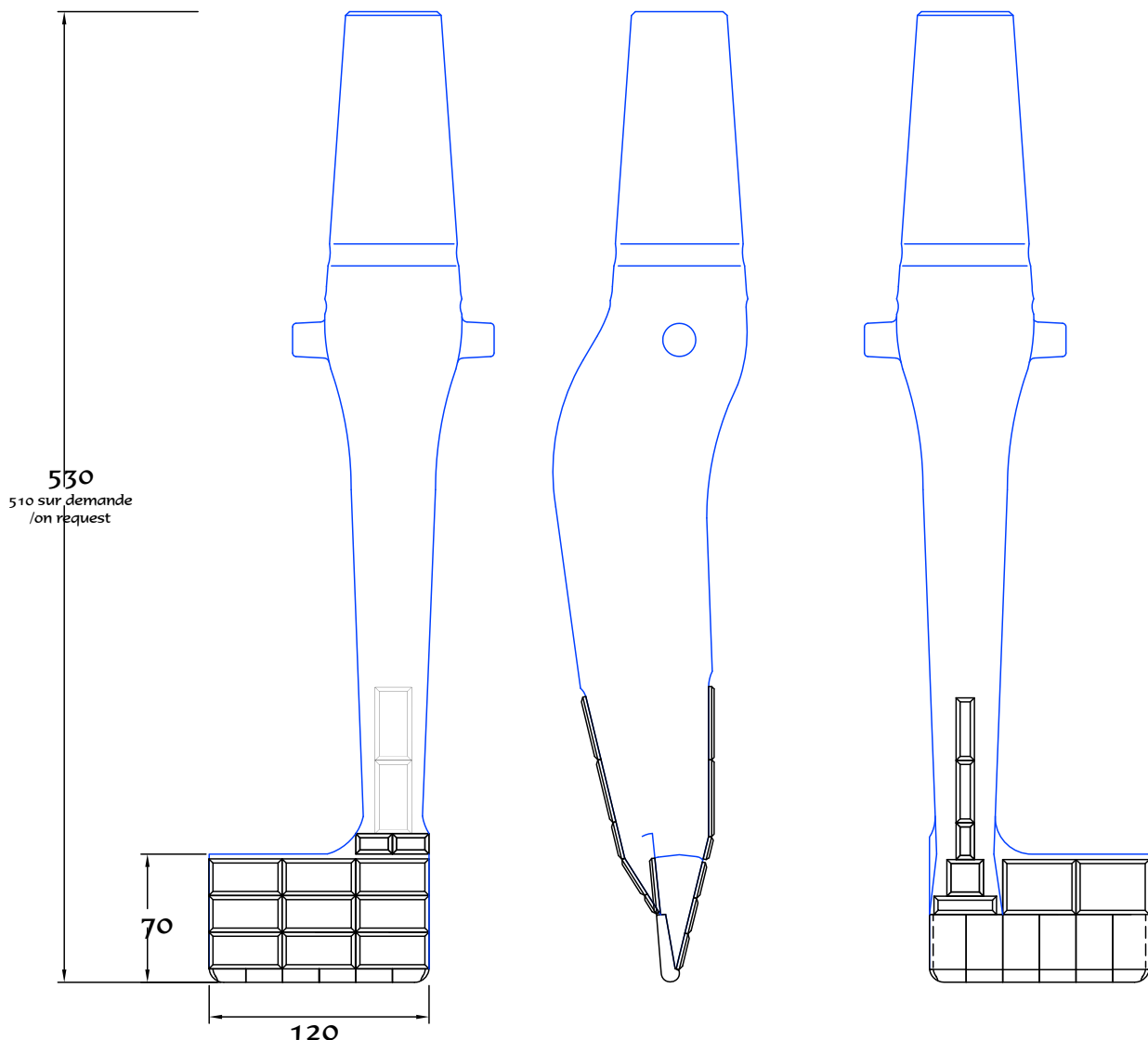


- Product quality is of paramount importance to us. Therefore we are certified to EN ISO 9001 since more than a decade. Recently we have been certified to EN ISO 14001 and OHSAS 18001 focusing our commitment to the environment as well as to health and safety.
- Certifiés EN-ISO 9001, En-ISO 14001 et OHSAS 18001, pour un service toujours amélioré et un respect des personnes et de l'environnement.



## MK313

Pour machines MATISA  
For MATISATamping Machines  
B20C, B20-75C, B20-95C, B40U, B40UE  
B41U, B41UE, B45UE, B66U  
Oem# 12.70.115.00003 – Pos 3



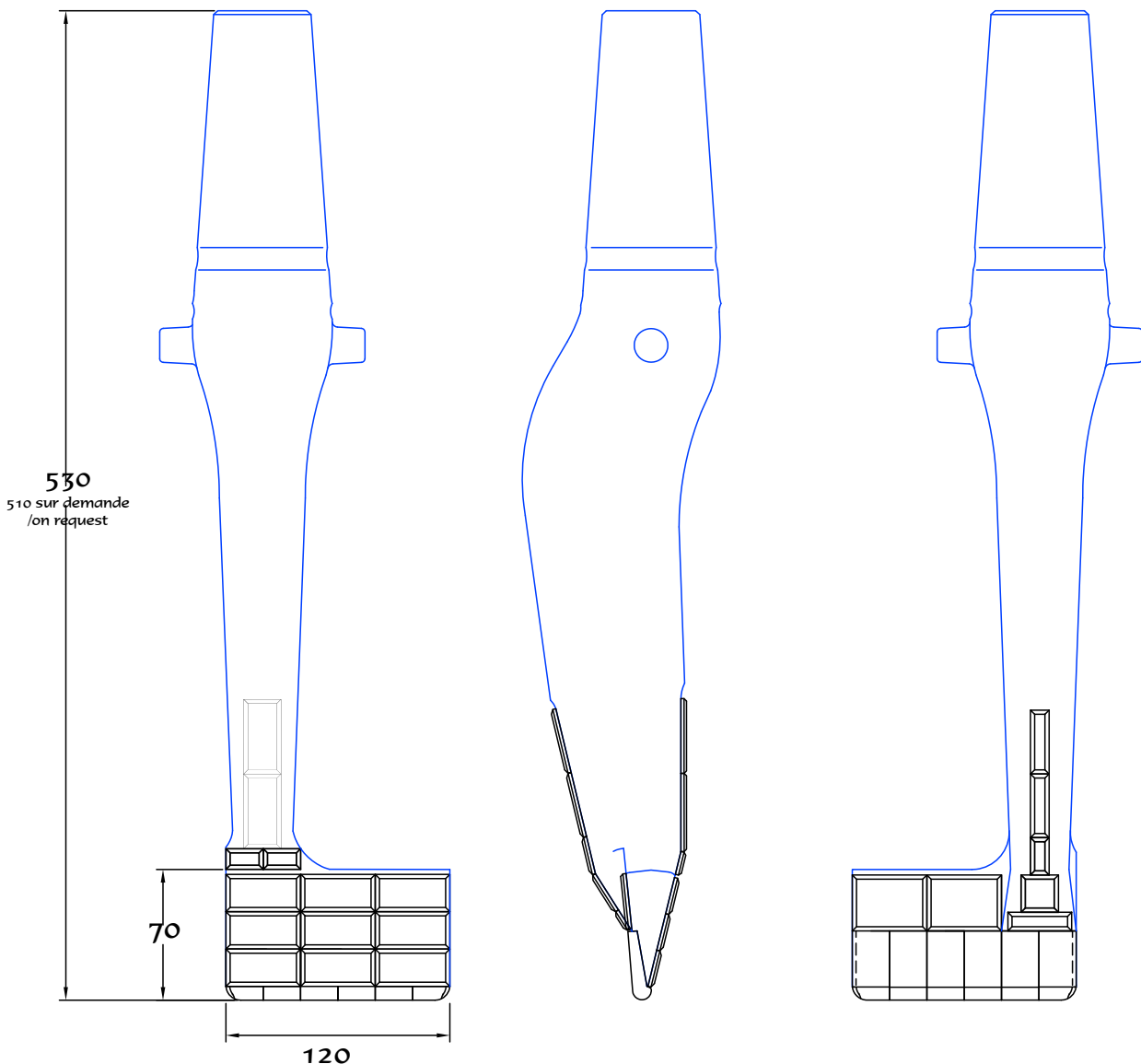
DESSIN NON CONTRACTUEL / NON CONTRACTUAL DRAWING

- Product quality is of paramount importance to us. Therefore we are certified to EN ISO 9001 since more than a decade. Recently we have been certified to EN ISO 14001 and OHSAS 18001 focusing our commitment to the environment as well as to health and safety.
- Certifiés EN-ISO 9001, En-ISO 14001 et OHSAS 18001, pour un service toujours amélioré et un respect des personnes et de l'environnement.



## MK314

Pour machines MATISA  
For MATISATamping Machines  
B20C, B20-75C, B20-95C, B40U, B40UE  
B41U, B41UE, B45UE, B66U  
Oem# 12.70.115.00004 – Pos 4



- Product quality is of paramount importance to us. Therefore we are certified to EN ISO 9001 since more than a decade. Recently we have been certified to EN ISO 14001 and OHSAS 18001 focusing our commitment to the environment as well as to health and safety.

- Certifiés EN-ISO 9001, En-ISO 14001 et OHSAS 18001, pour un service toujours amélioré et un respect des personnes et de l'environnement.



## MK321

Pour machines MATISA

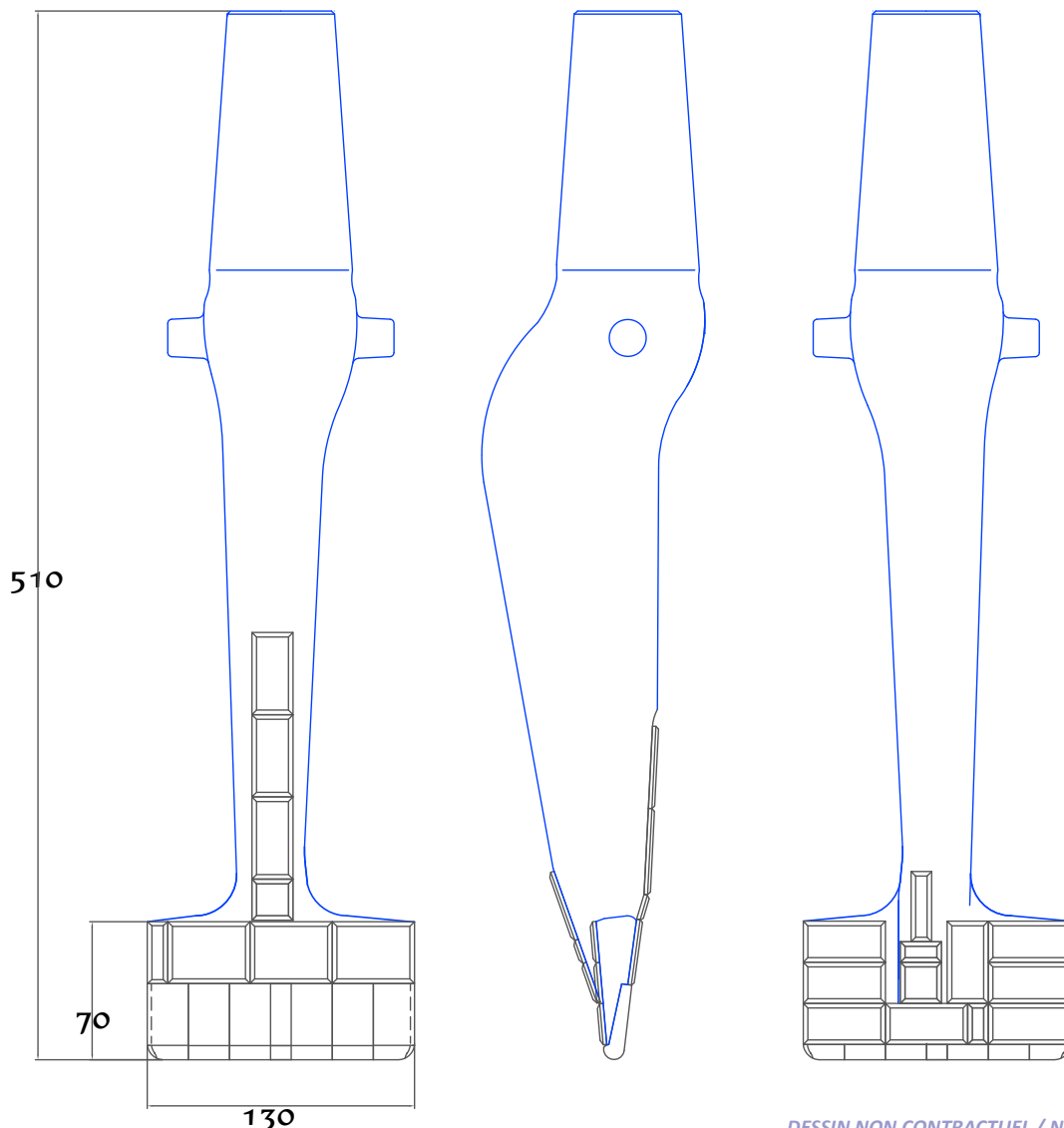
For MATISATamping Machines

B20L, B30L, B40L, B45L,

B20 Bi AC 4 (Pioches standards machines 803 et 805-France)

B30D, B40D, B41D, B45D & B50D (pioches standards/standard tools)

Oem# 12.70.114.00000



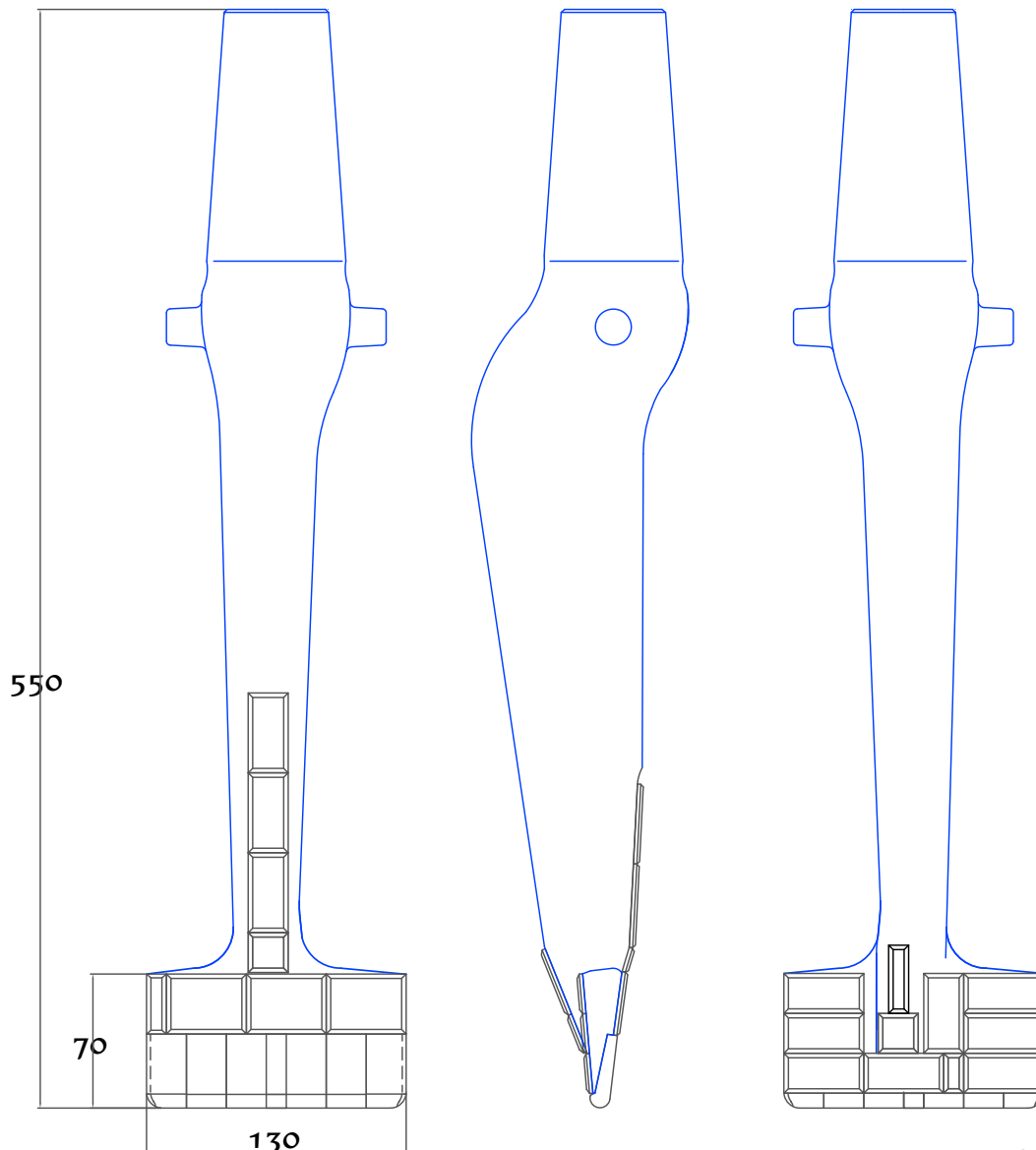
DESSIN NON CONTRACTUEL / NON CONTRACTUAL DRAWING

- Product quality is of paramount importance to us. Therefore we are certified to EN ISO 9001 since more than a decade. Recently we have been certified to EN ISO 14001 and OHSAS 18001 focusing our commitment to the environment as well as to health and safety.
- Certifiés EN-ISO 9001, En-ISO 14001 et OHSAS 18001, pour un service toujours amélioré et un respect des personnes et de l'environnement.



## MK331

Pour machines MATISA  
For MATISATamping Machines  
COMBI 20, B20 Bi AC4 (Pioches longues pour machine 801-France)  
BD45 & B50D (Pioches longues/long tools)  
Oem# 12.70.116.00000



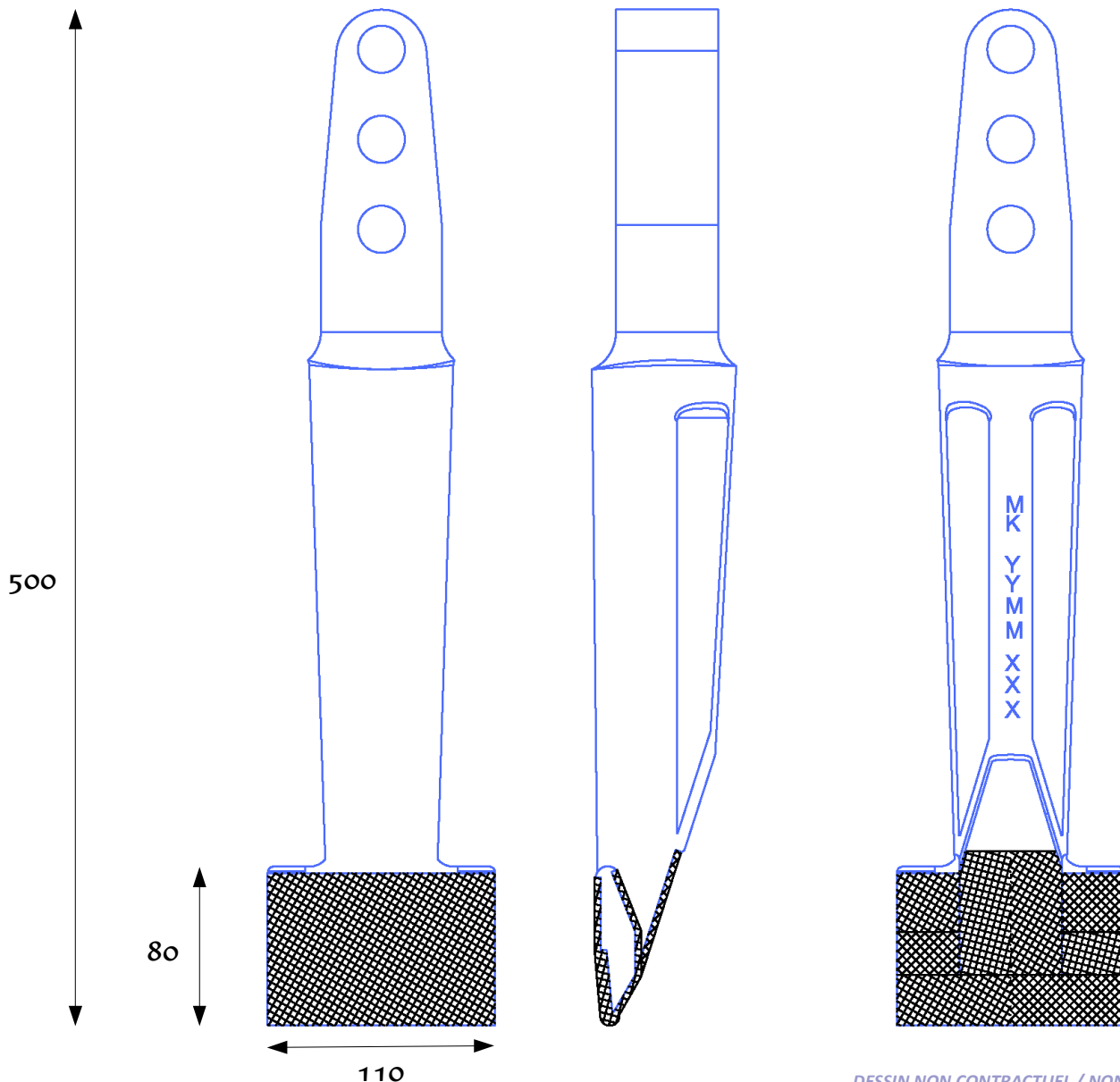
DESSIN NON CONTRACTUEL / NON CONTRACTUAL DRAWING

- Product quality is of paramount importance to us. Therefore we are certified to EN ISO 9001 since more than a decade. Recently we have been certified to EN ISO 14001 and OHSAS 18001 focusing our commitment to the environment as well as to health and safety.
- Certifiés EN-ISO 9001, En-ISO 14001 et OHSAS 18001, pour un service toujours amélioré et un respect des personnes et de l'environnement.



## MK421

Pour machines JACKSON  
For JACKSON Tamping Machines  
Voies et appareils  
Plain lines and switches



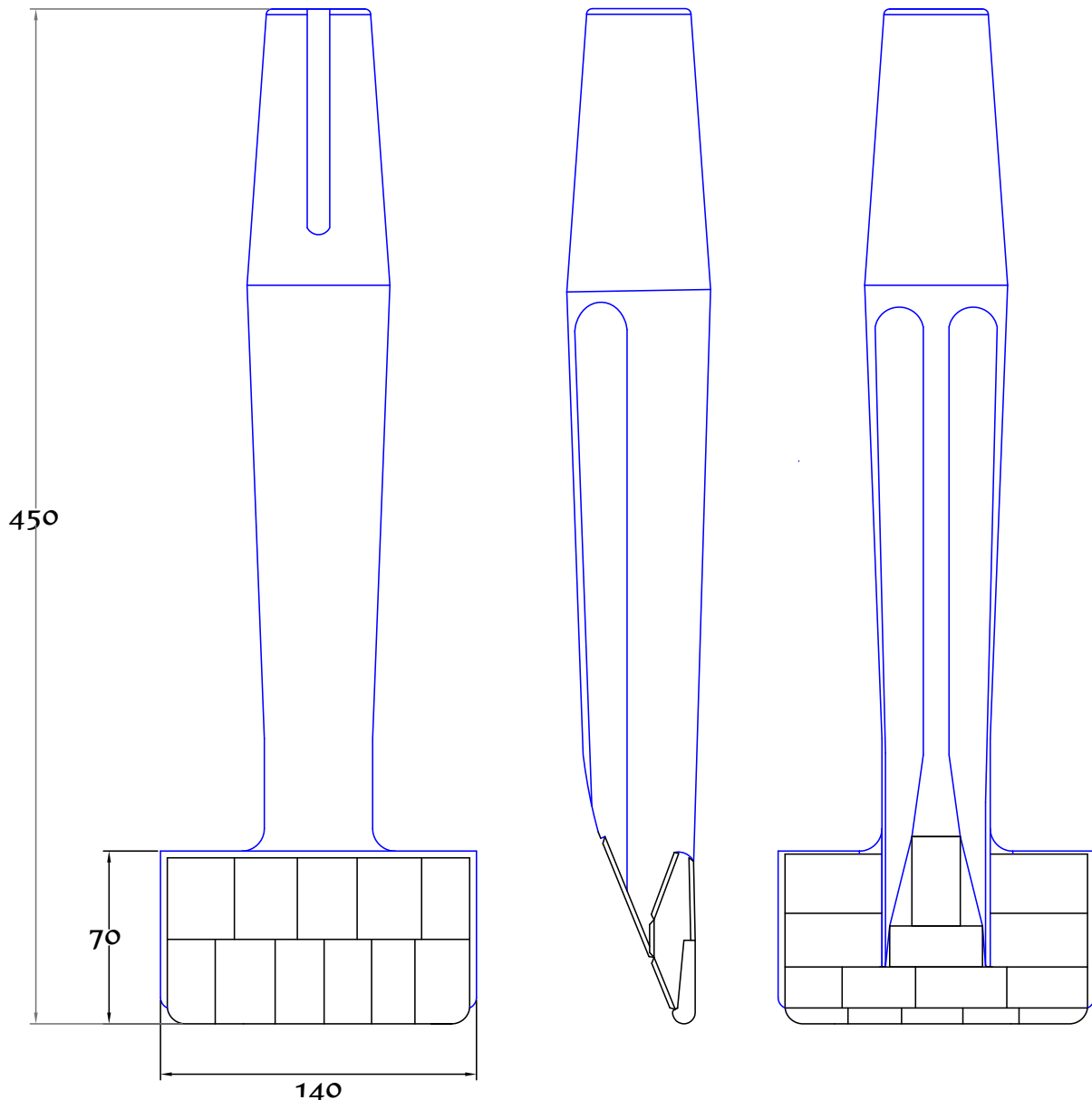
DESSIN NON CONTRACTUEL / NON CONTRACTUAL DRAWING

- Product quality is of paramount importance to us. Therefore we are certified to EN ISO 9001 since more than a decade. Recently we have been certified to EN ISO 14001 and OHSAS 18001 focusing our commitment to the environment as well as to health and safety.
- Certifiés EN-ISO 9001, En-ISO 14001 et OHSAS 18001, pour un service toujours amélioré et un respect des personnes et de l'environnement.



## MK521

Pour machines TAMPER HARSCO  
For TAMPER HARSCO Tamping Machines



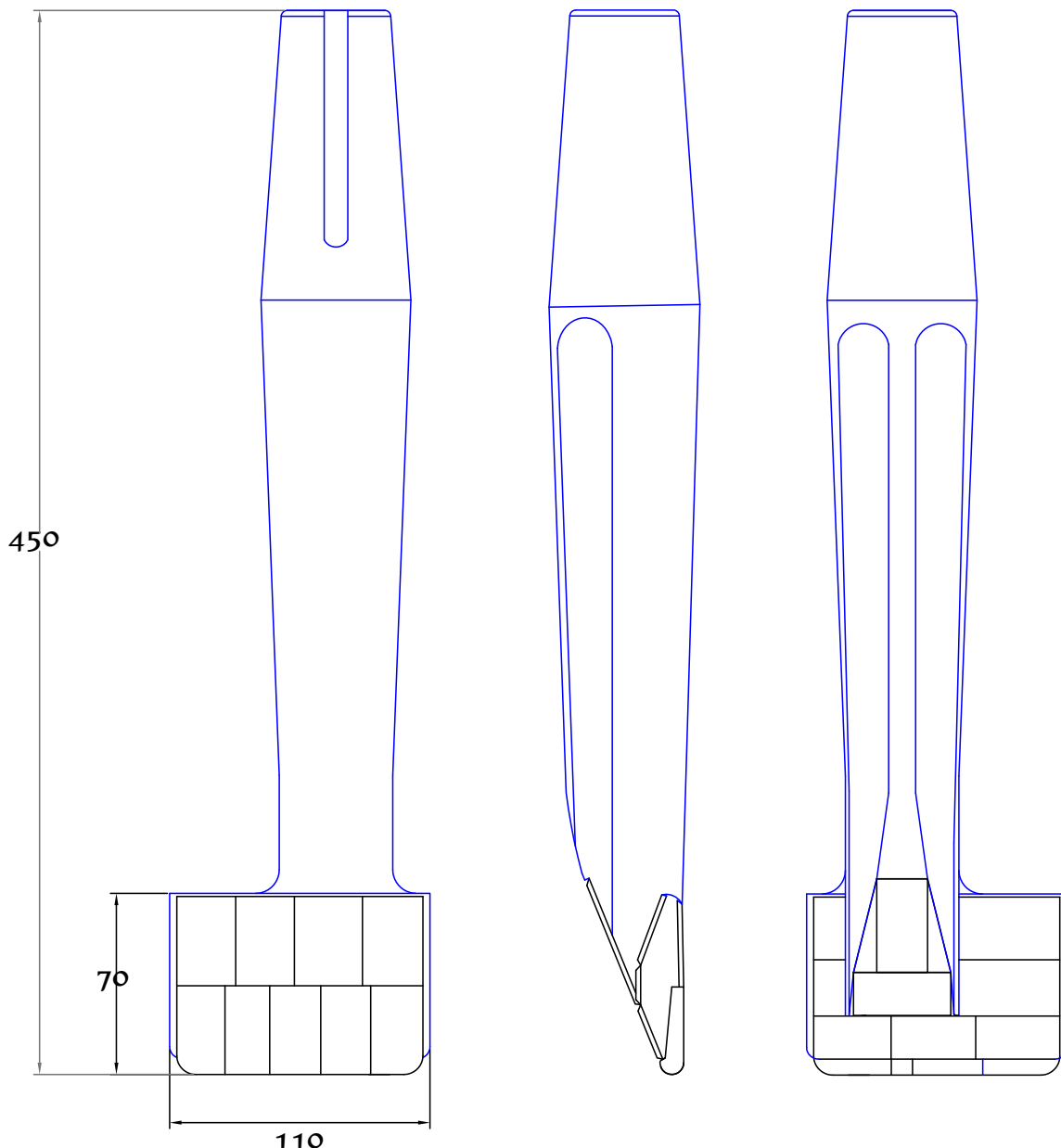
DESSIN NON CONTRACTUEL / NON CONTRACTUAL DRAWING

- Product quality is of paramount importance to us. Therefore we are certified to EN ISO 9001 since more than a decade. Recently we have been certified to EN ISO 14001 and OHSAS 18001 focusing our commitment to the environment as well as to health and safety.
- Certifiés EN-ISO 9001, En-ISO 14001 et OHSAS 18001, pour un service toujours amélioré et un respect des personnes et de l'environnement.



## MK522

Pour machines TAMPER HARSCO  
For TAMPER HARSCO Tamping Machines



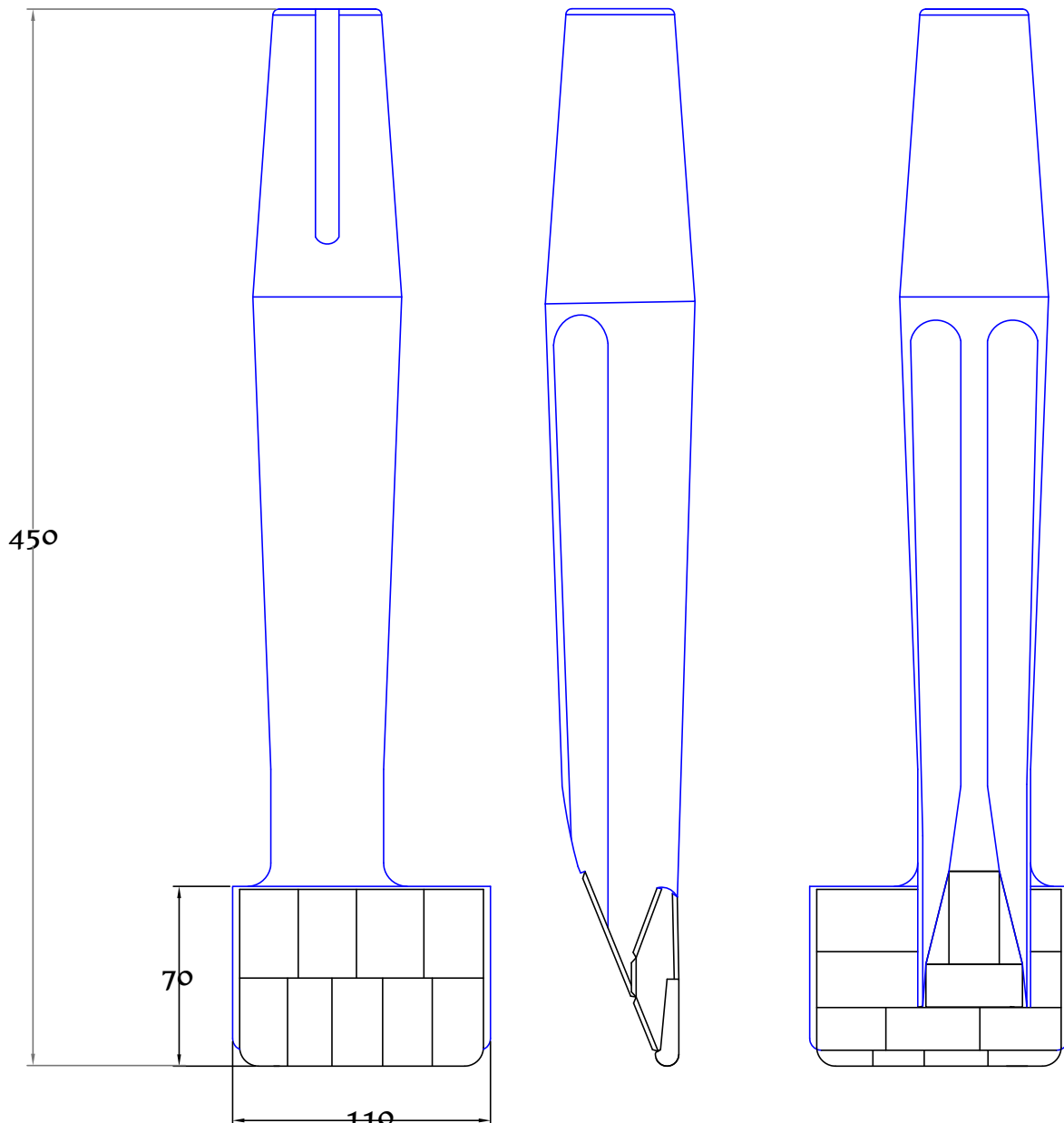
DESSIN NON CONTRACTUEL / NON CONTRACTUAL DRAWING

- Product quality is of paramount importance to us. Therefore we are certified to EN ISO 9001 since more than a decade. Recently we have been certified to EN ISO 14001 and OHSAS 18001 focusing our commitment to the environment as well as to health and safety.
- Certifiés EN-ISO 9001, En-ISO 14001 et OHSAS 18001, pour un service toujours amélioré et un respect des personnes et de l'environnement.



## MK523

Pour machines TAMPER HARSCO  
For TAMPER HARSCO Tamping Machines



DESSIN NON CONTRACTUEL / NON CONTRACTUAL DRAWING

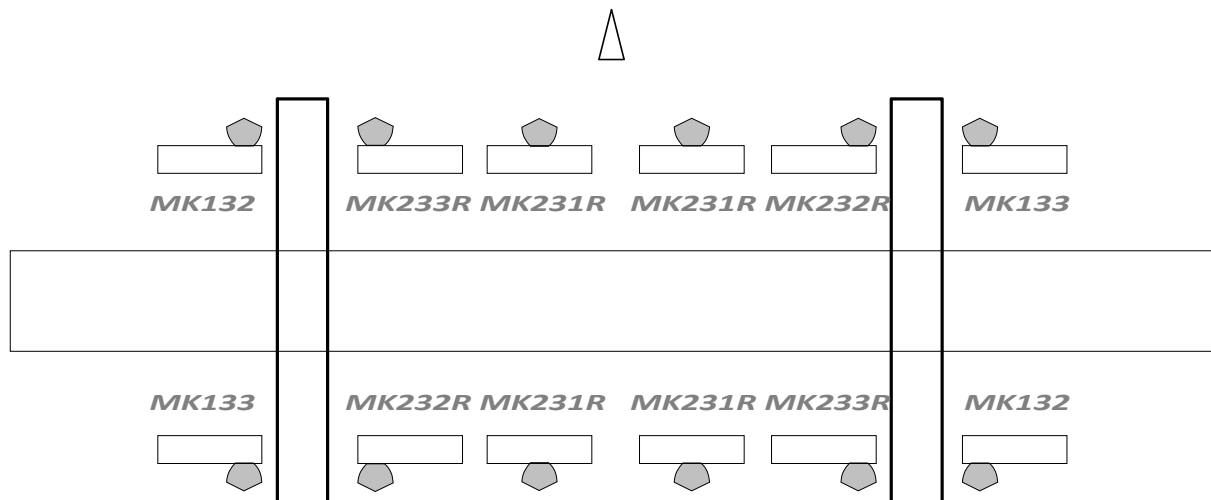


- Product quality is of paramount importance to us. Therefore we are certified to EN ISO 9001 since more than a decade. Recently we have been certified to EN ISO 14001 and OHSAS 18001 focusing our commitment to the environment as well as to health and safety.
- Certifiés EN-ISO 9001, En-ISO 14001 et OHSAS 18001, pour un service toujours amélioré et un respect des personnes et de l'environnement.



## P & T Type 07/12

Outils – Tools : 420/520 mm



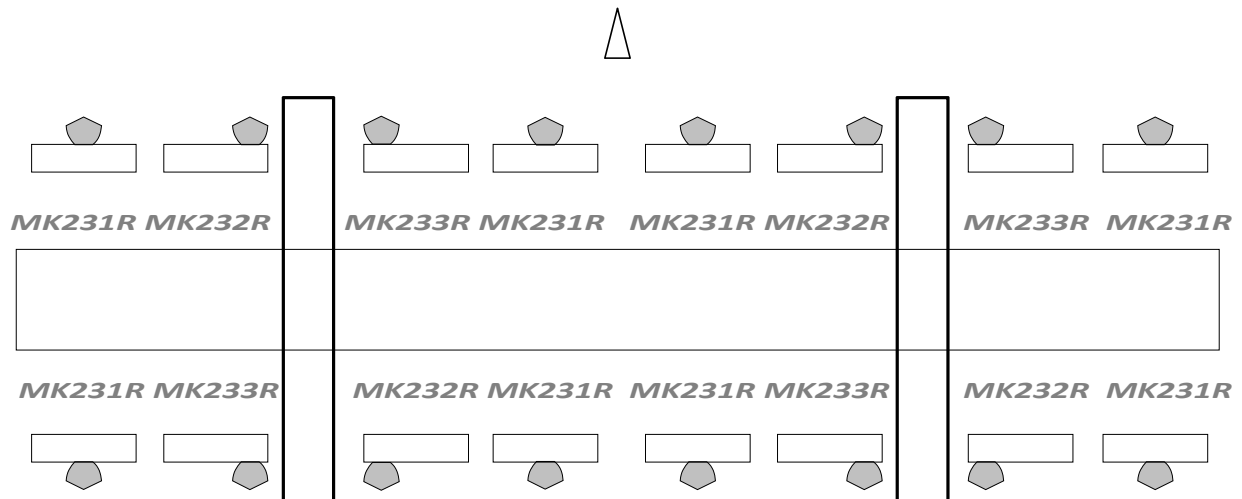
**MK132 : 2**  
**MK133 : 2**  
**MK231R : 4**  
**MK232R : 2**  
**MK233R : 2**

- Product quality is of paramount importance to us. Therefore we are certified to EN ISO 9001 since more than a decade. Recently we have been certified to EN ISO 14001 and OHSAS 18001 focusing our commitment to the environment as well as to health and safety.
- Certifiés EN-ISO 9001, En-ISO 14001 et OHSAS 18001, pour un service toujours amélioré et un respect des personnes et de l'environnement.



## P & T Type 07/16

Outils courts – Short tools : 420 mm



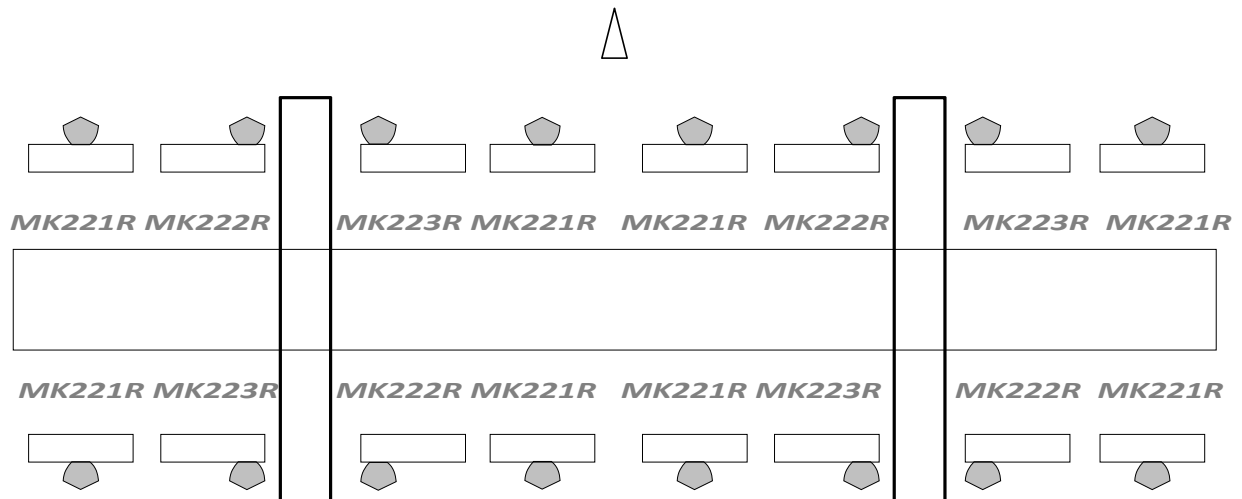
**MK231R : 8**  
**MK232R : 4**  
**MK233R : 4**

- Product quality is of paramount importance to us. Therefore we are certified to EN ISO 9001 since more than a decade. Recently we have been certified to EN ISO 14001 and OHSAS 18001 focusing our commitment to the environment as well as to health and safety.
- Certifiés EN-ISO 9001, En-ISO 14001 et OHSAS 18001, pour un service toujours amélioré et un respect des personnes et de l'environnement.



## P & T Type 07/16

Outils longs – Long tools : 480 mm



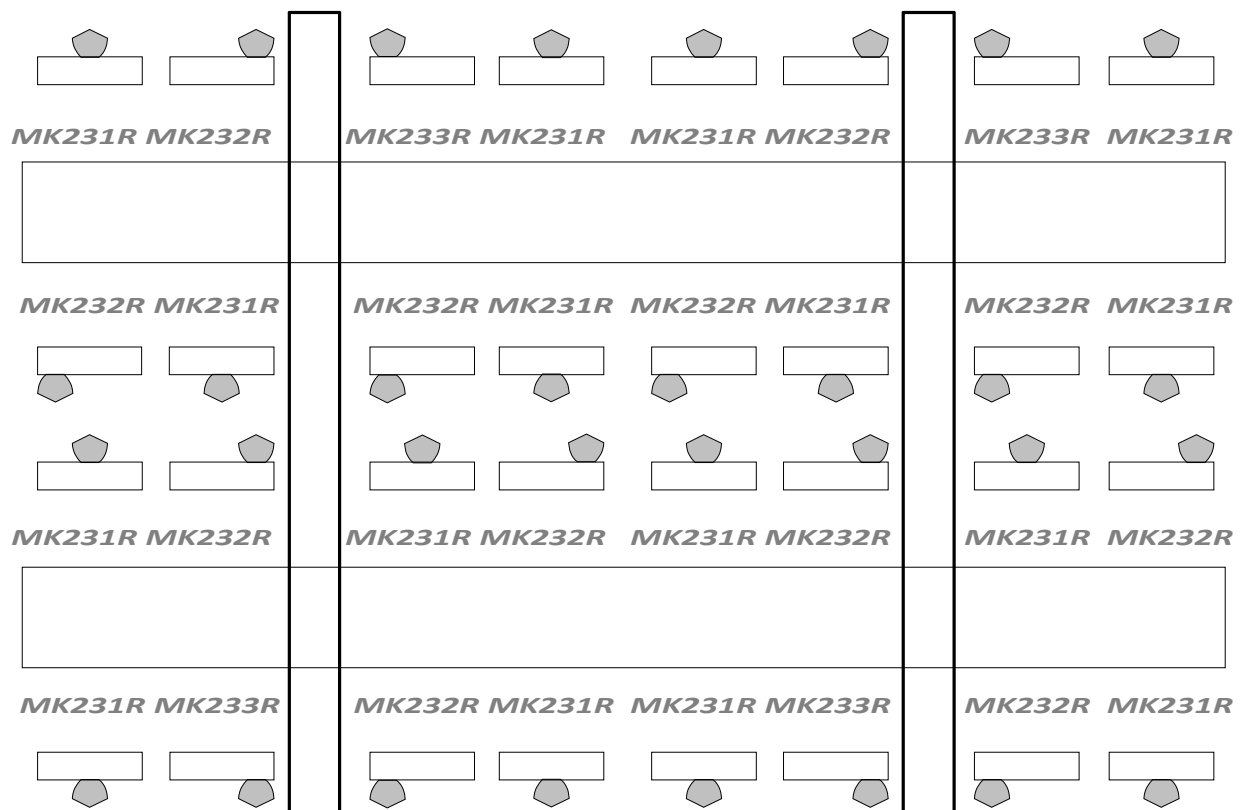
**MK221R : 8**  
**MK222R : 4**  
**MK223R : 4**

- Product quality is of paramount importance to us. Therefore we are certified to EN ISO 9001 since more than a decade. Recently we have been certified to EN ISO 14001 and OHSAS 18001 focusing our commitment to the environment as well as to health and safety.
- Certifiés EN-ISO 9001, En-ISO 14001 et OHSAS 18001, pour un service toujours amélioré et un respect des personnes et de l'environnement.



## P & T Type 07/32

Outils – Tools : 420 mm



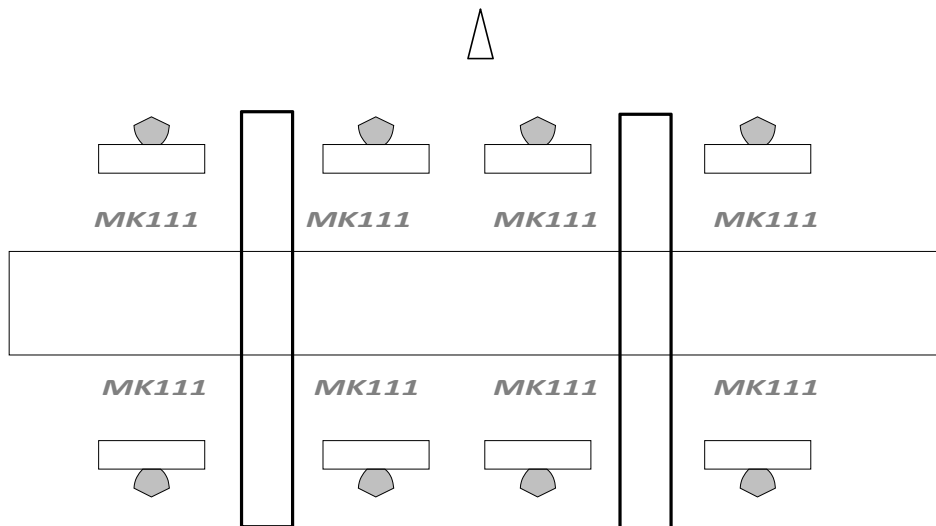
**MK231R : 16**  
**MK232R : 12**  
**MK233R : 4**

- Product quality is of paramount importance to us. Therefore we are certified to EN ISO 9001 since more than a decade. Recently we have been certified to EN ISO 14001 and OHSAS 18001 focusing our commitment to the environment as well as to health and safety.
- Certifiés EN-ISO 9001, En-ISO 14001 et OHSAS 18001, pour un service toujours amélioré et un respect des personnes et de l'environnement.



## P & T Type 07/275

Outils – Tools : 590 mm



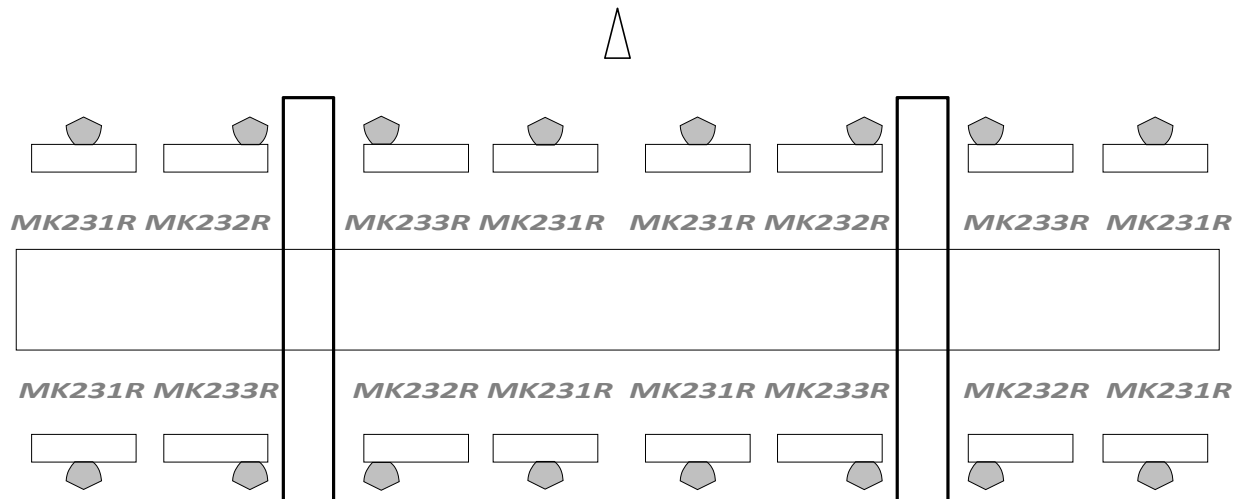
**MK111 : 8**

- Product quality is of paramount importance to us. Therefore we are certified to EN ISO 9001 since more than a decade. Recently we have been certified to EN ISO 14001 and OHSAS 18001 focusing our commitment to the environment as well as to health and safety.
- Certifiés EN-ISO 9001, En-ISO 14001 et OHSAS 18001, pour un service toujours amélioré et un respect des personnes et de l'environnement.



## P & T Type 08/16

Outils courts – Short tools : 420 mm



**MK231R : 8**  
**MK232R : 4**  
**MK233R : 4**

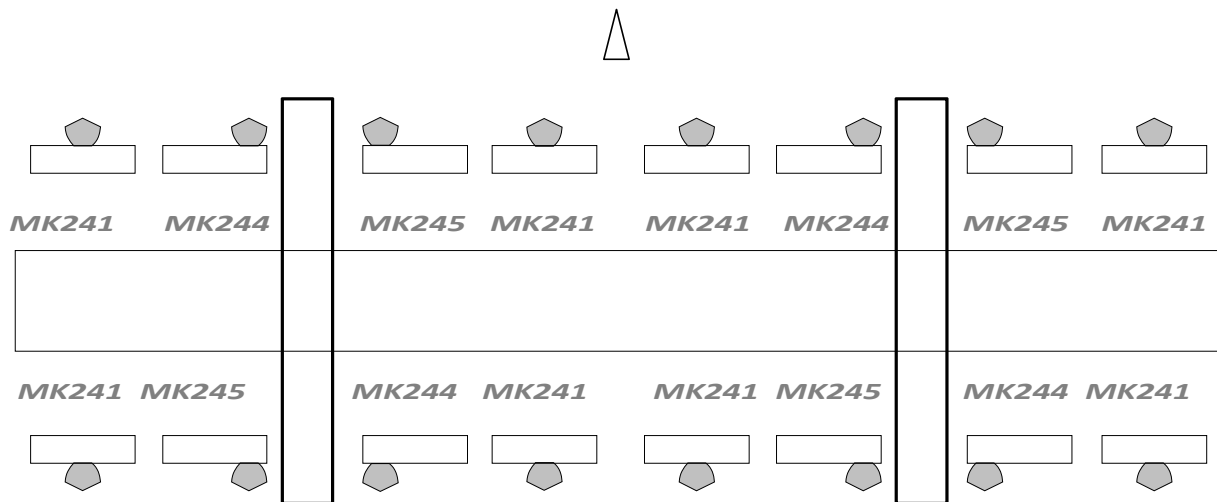
- Product quality is of paramount importance to us. Therefore we are certified to EN ISO 9001 since more than a decade. Recently we have been certified to EN ISO 14001 and OHSAS 18001 focusing our commitment to the environment as well as to health and safety.
- Certifiés EN-ISO 9001, En-ISO 14001 et OHSAS 18001, pour un service toujours amélioré et un respect des personnes et de l'environnement.



## P & T Type 08/16

Après/After 2002

Outils cylindriques – Cylinder tools : 500 mm



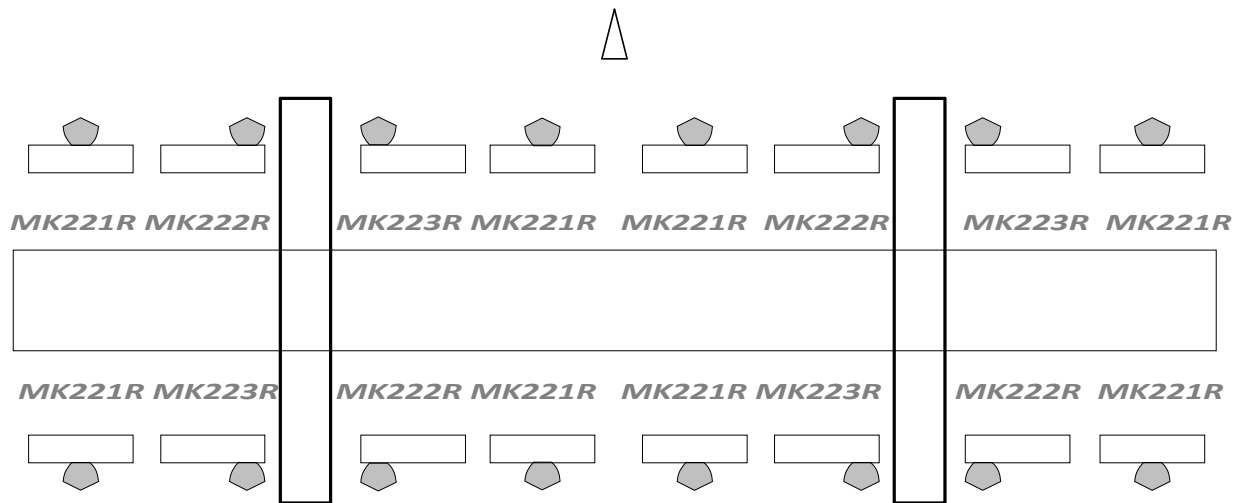
**MK241 : 8**  
**MK244 : 4**  
**MK245 : 4**

- Product quality is of paramount importance to us. Therefore we are certified to EN ISO 9001 since more than a decade. Recently we have been certified to EN ISO 14001 and OHSAS 18001 focusing our commitment to the environment as well as to health and safety.
- Certifiés EN-ISO 9001, En-ISO 14001 et OHSAS 18001, pour un service toujours amélioré et un respect des personnes et de l'environnement.



## P & T Type 08/16 Unomatic

Outils longs – Long tools : 480 mm



**MK221R : 8**  
**MK222R : 4**  
**MK223R : 4**

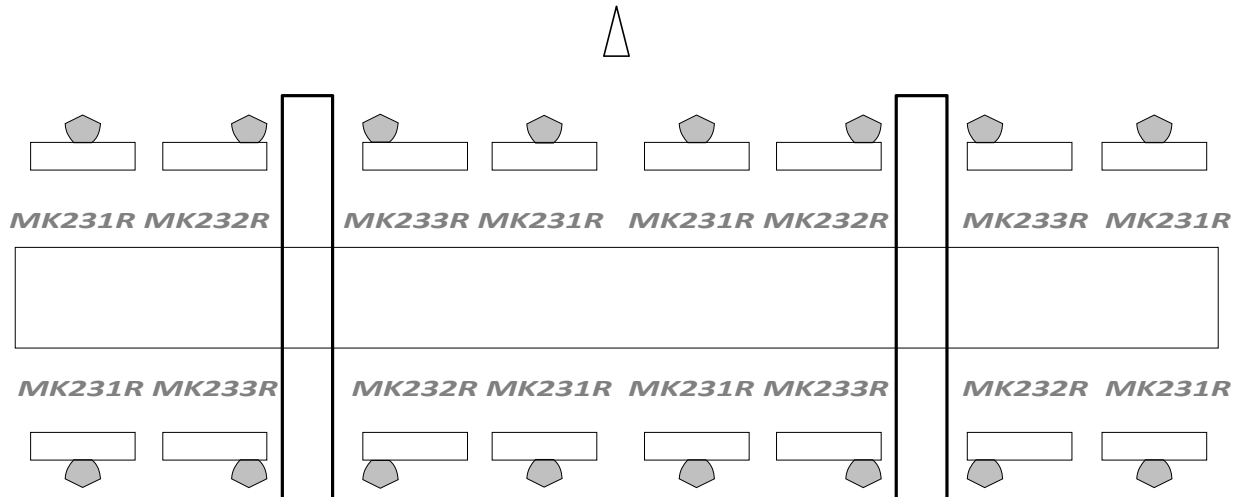


- Product quality is of paramount importance to us. Therefore we are certified to EN ISO 9001 since more than a decade. Recently we have been certified to EN ISO 14001 and OHSAS 18001 focusing our commitment to the environment as well as to health and safety.
- Certifiés EN-ISO 9001, En-ISO 14001 et OHSAS 18001, pour un service toujours amélioré et un respect des personnes et de l'environnement.



## P & T Type 08/16 ZZ

Outils Courts – Short tools : 420 mm



**MK231R : 8**  
**MK232R : 4**  
**MK233R : 4**

- Product quality is of paramount importance to us. Therefore we are certified to EN ISO 9001 since more than a decade. Recently we have been certified to EN ISO 14001 and OHSAS 18001 focusing our commitment to the environment as well as to health and safety.
- Certifiés EN-ISO 9001, En-ISO 14001 et OHSAS 18001, pour un service toujours amélioré et un respect des personnes et de l'environnement.



## P & T Type 08/32U

Outils Longs – Long tools : 480 mm



**MK221R : 16**  
**MK222R : 12**  
**MK223R : 4**

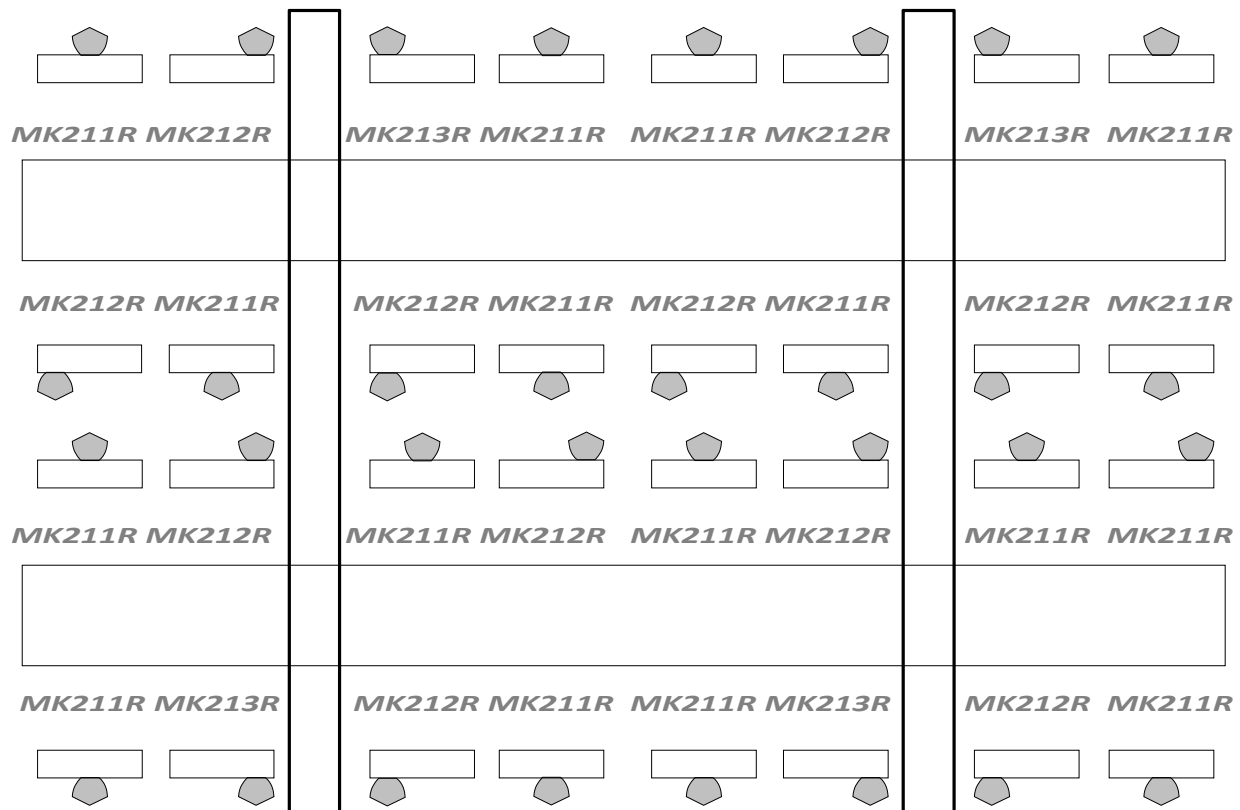


- Product quality is of paramount importance to us. Therefore we are certified to EN ISO 9001 since more than a decade. Recently we have been certified to EN ISO 14001 and OHSAS 18001 focusing our commitment to the environment as well as to health and safety.
- Certifiés EN-ISO 9001, En-ISO 14001 et OHSAS 18001, pour un service toujours amélioré et un respect des personnes et de l'environnement.



## P & T Type 08/32U

Outils moyens – Medium tools : 450 mm



**MK211R : 16**  
**MK212R : 12**  
**MK213R : 4**

- Product quality is of paramount importance to us. Therefore we are certified to EN ISO 9001 since more than a decade. Recently we have been certified to EN ISO 14001 and OHSAS 18001 focusing our commitment to the environment as well as to health and safety.
- Certifiés EN-ISO 9001, En-ISO 14001 et OHSAS 18001, pour un service toujours amélioré et un respect des personnes et de l'environnement.



## P & T Type 08/32

Outils longs – Long tools : 480 mm



**MK221R : 16**  
**MK222R : 12**  
**MK223R : 4**

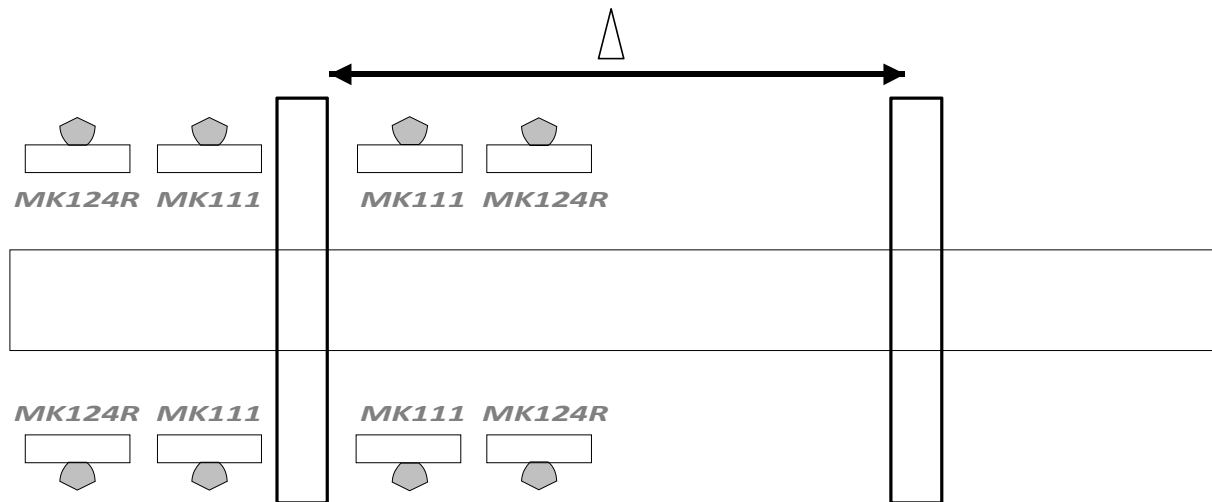


- Product quality is of paramount importance to us. Therefore we are certified to EN ISO 9001 since more than a decade. Recently we have been certified to EN ISO 14001 and OHSAS 18001 focusing our commitment to the environment as well as to health and safety.
- Certifiés EN-ISO 9001, En-ISO 14001 et OHSAS 18001, pour un service toujours amélioré et un respect des personnes et de l'environnement.



## P & T Type 08/75 GS/SP

Outils – Tools : 480/590 mm



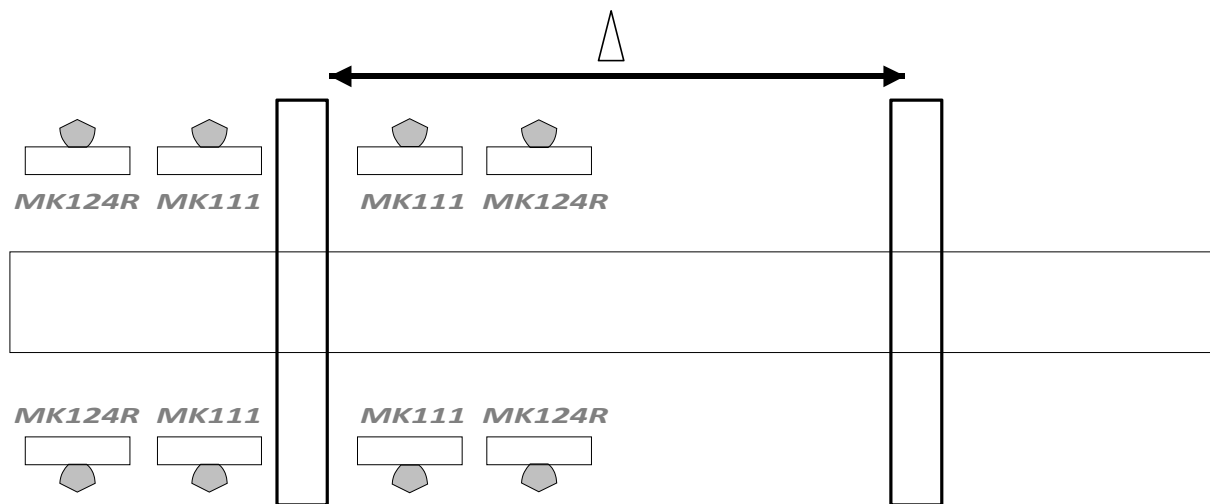
*MK111 : 4*  
*MK124R : 4*

- Product quality is of paramount importance to us. Therefore we are certified to EN ISO 9001 since more than a decade. Recently we have been certified to EN ISO 14001 and OHSAS 18001 focusing our commitment to the environment as well as to health and safety.
- Certifiés EN-ISO 9001, En-ISO 14001 et OHSAS 18001, pour un service toujours amélioré et un respect des personnes et de l'environnement.



## P & T Type 08/75 ZW

Outils – Tools : 480/590 mm



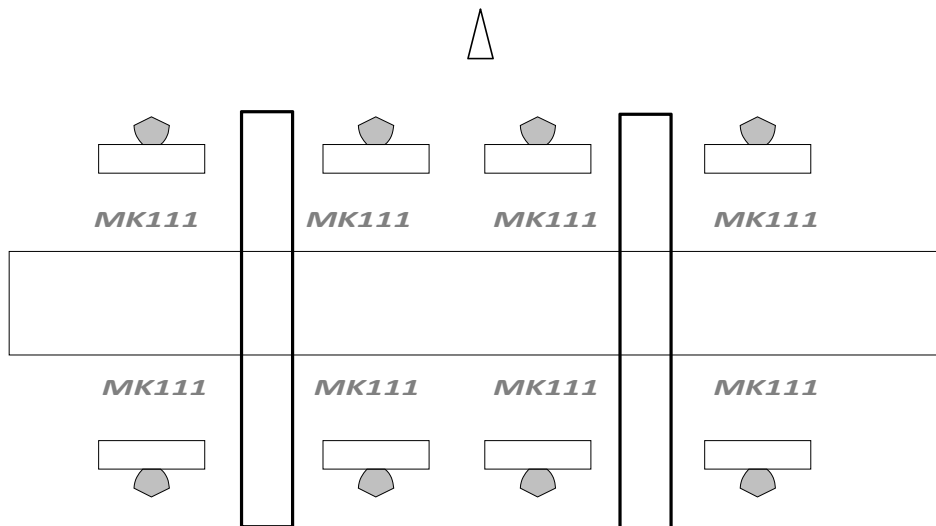
*MK111 : 4*  
*MK124R : 4*

- Product quality is of paramount importance to us. Therefore we are certified to EN ISO 9001 since more than a decade. Recently we have been certified to EN ISO 14001 and OHSAS 18001 focusing our commitment to the environment as well as to health and safety.
- Certifiés EN-ISO 9001, En-ISO 14001 et OHSAS 18001, pour un service toujours amélioré et un respect des personnes et de l'environnement.



## P & T Type 08/275

Outils – Tools : 590 mm



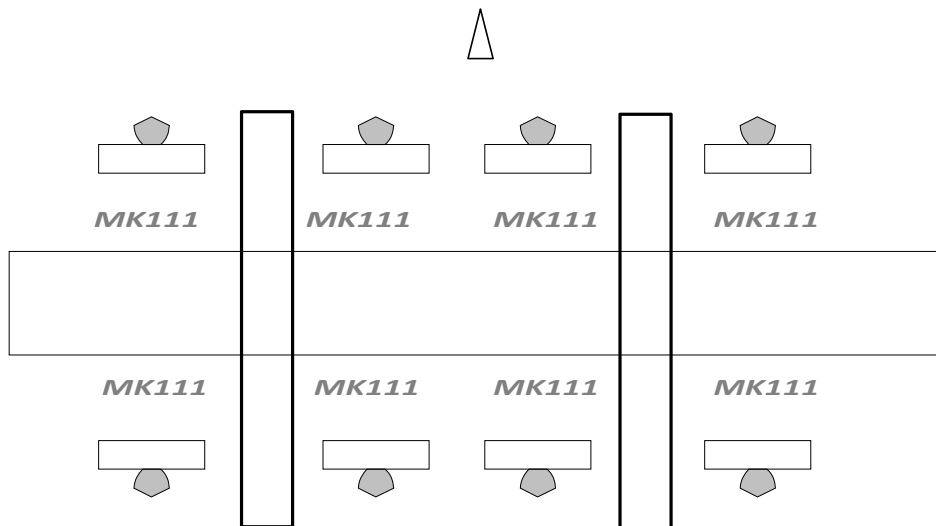
**MK111 : 8**

- Product quality is of paramount importance to us. Therefore we are certified to EN ISO 9001 since more than a decade. Recently we have been certified to EN ISO 14001 and OHSAS 18001 focusing our commitment to the environment as well as to health and safety.
- Certifiés EN-ISO 9001, En-ISO 14001 et OHSAS 18001, pour un service toujours amélioré et un respect des personnes et de l'environnement.



## P & T Type 08/275 ZW

Outils – Tools : 590 mm



**MK111 : 8**

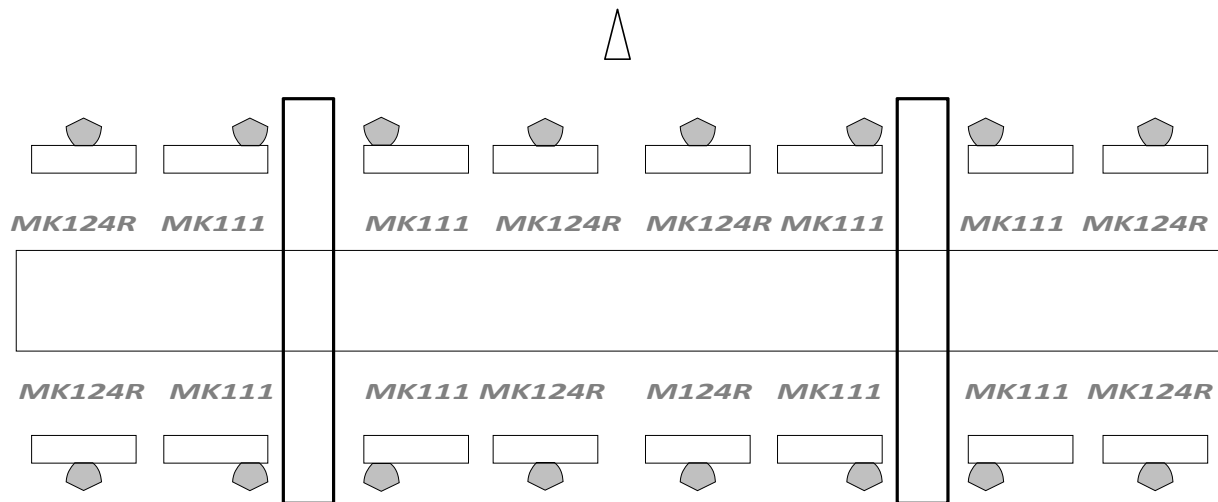


- Product quality is of paramount importance to us. Therefore we are certified to EN ISO 9001 since more than a decade. Recently we have been certified to EN ISO 14001 and OHSAS 18001 focusing our commitment to the environment as well as to health and safety.
- Certifiés EN-ISO 9001, En-ISO 14001 et OHSAS 18001, pour un service toujours amélioré et un respect des personnes et de l'environnement.



## P & T Type 08/275 Unimat et Unimat 3 S

Outils – Tools : 480/590 mm



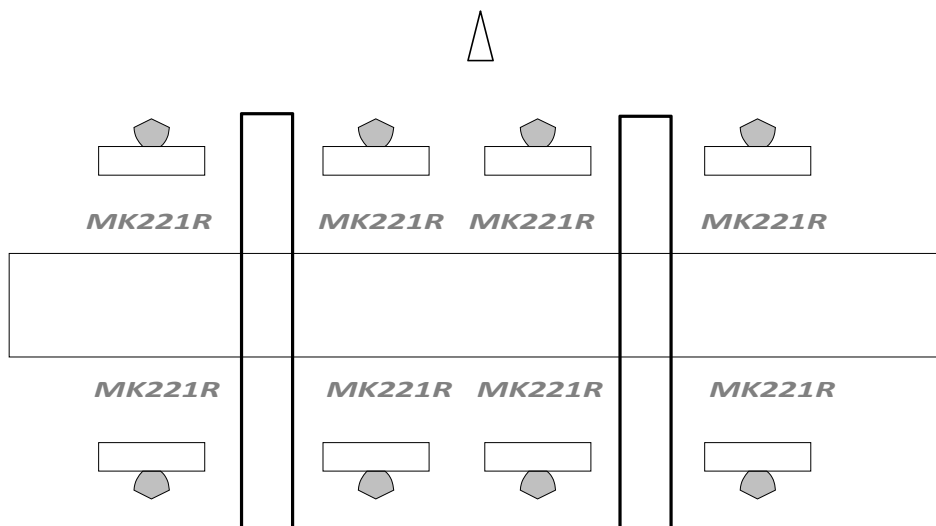
*MK111 : 8*  
*MK124R : 8*

- Product quality is of paramount importance to us. Therefore we are certified to EN ISO 9001 since more than a decade. Recently we have been certified to EN ISO 14001 and OHSAS 18001 focusing our commitment to the environment as well as to health and safety.
- Certifiés EN-ISO 9001, En-ISO 14001 et OHSAS 18001, pour un service toujours amélioré et un respect des personnes et de l'environnement.



## P & T Type EMV

Outils – Tools : 480 mm



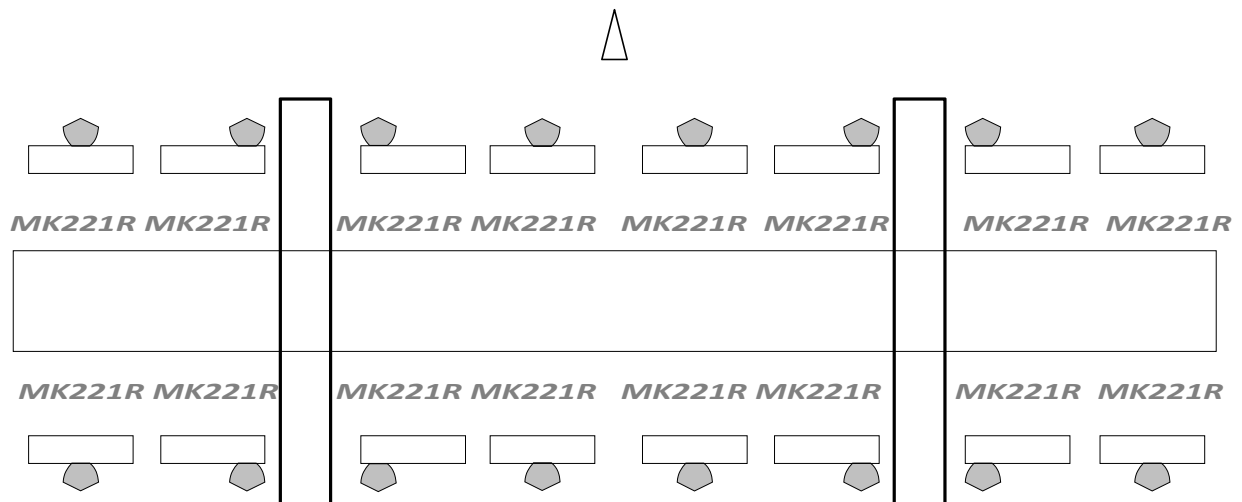
**MK221R : 8**

- Product quality is of paramount importance to us. Therefore we are certified to EN ISO 9001 since more than a decade. Recently we have been certified to EN ISO 14001 and OHSAS 18001 focusing our commitment to the environment as well as to health and safety.
- Certifiés EN-ISO 9001, En-ISO 14001 et OHSAS 18001, pour un service toujours amélioré et un respect des personnes et de l'environnement.



## P & T Type 08-475 LGV

Outils longs – Long tools : 480 mm



**MK221R : 16**

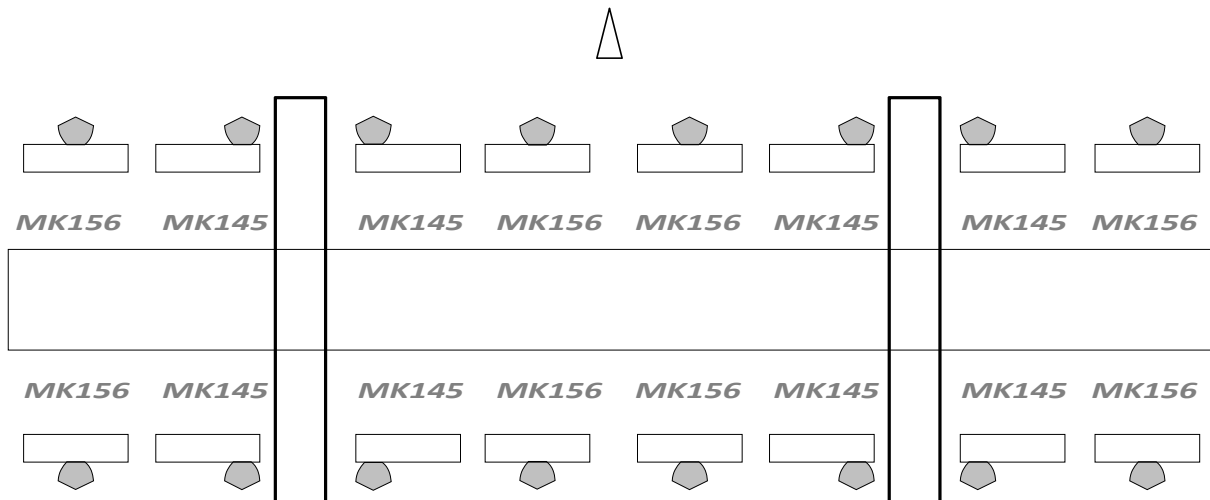
- Product quality is of paramount importance to us. Therefore we are certified to EN ISO 9001 since more than a decade. Recently we have been certified to EN ISO 14001 and OHSAS 18001 focusing our commitment to the environment as well as to health and safety.
- Certifiés EN-ISO 9001, En-ISO 14001 et OHSAS 18001, pour un service toujours amélioré et un respect des personnes et de l'environnement.



## P & T Type 08-475 4S

Avant/Before : 1992

Outils - Tools : 445/570 mm



**MK145 : 8**

**MK156 : 8**

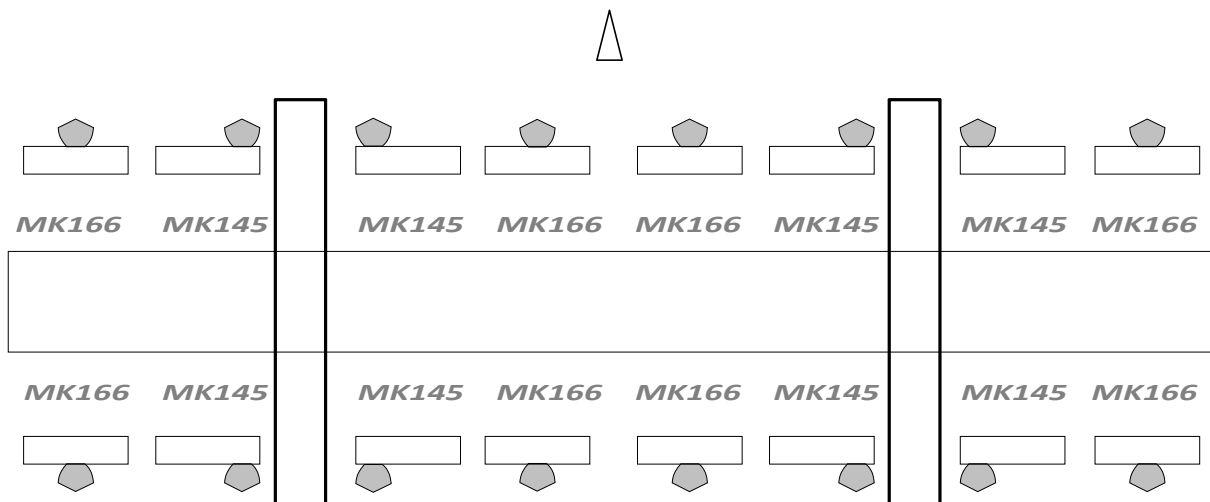
- Product quality is of paramount importance to us. Therefore we are certified to EN ISO 9001 since more than a decade. Recently we have been certified to EN ISO 14001 and OHSAS 18001 focusing our commitment to the environment as well as to health and safety.
- Certifiés EN-ISO 9001, En-ISO 14001 et OHSAS 18001, pour un service toujours amélioré et un respect des personnes et de l'environnement.



## P & T Type 08/475 4S

Après/After : 1993

Outils - Tools : 520/570 mm



**MK145 : 8**

**MK166 : 8**

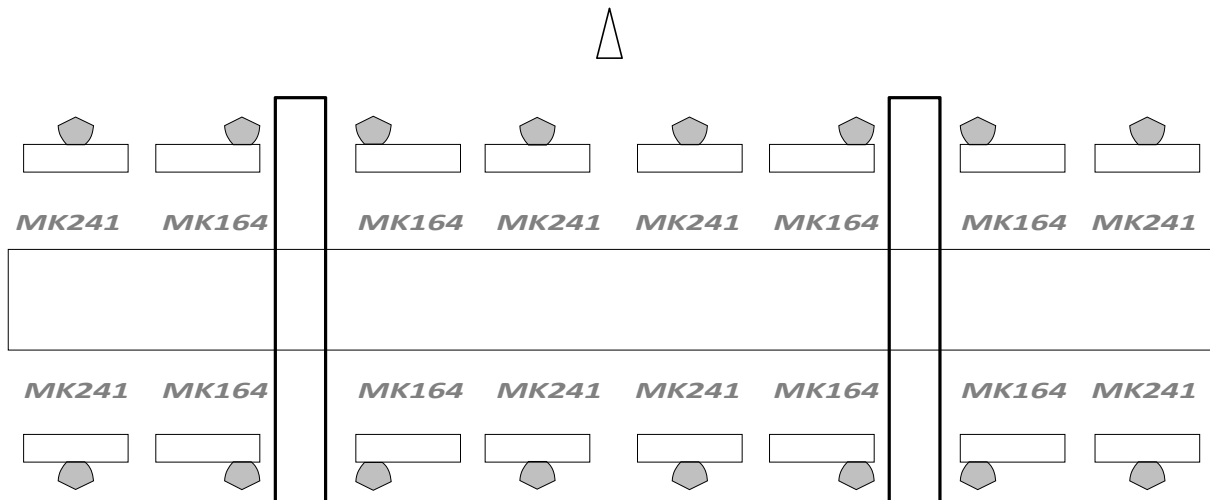
- Product quality is of paramount importance to us. Therefore we are certified to EN ISO 9001 since more than a decade. Recently we have been certified to EN ISO 14001 and OHSAS 18001 focusing our commitment to the environment as well as to health and safety.
- Certifiés EN-ISO 9001, En-ISO 14001 et OHSAS 18001, pour un service toujours amélioré et un respect des personnes et de l'environnement.



## P & T Type 08-475 4S

Après/After : 2001

Outils – Tools : 500 mm



**MK164 : 8**

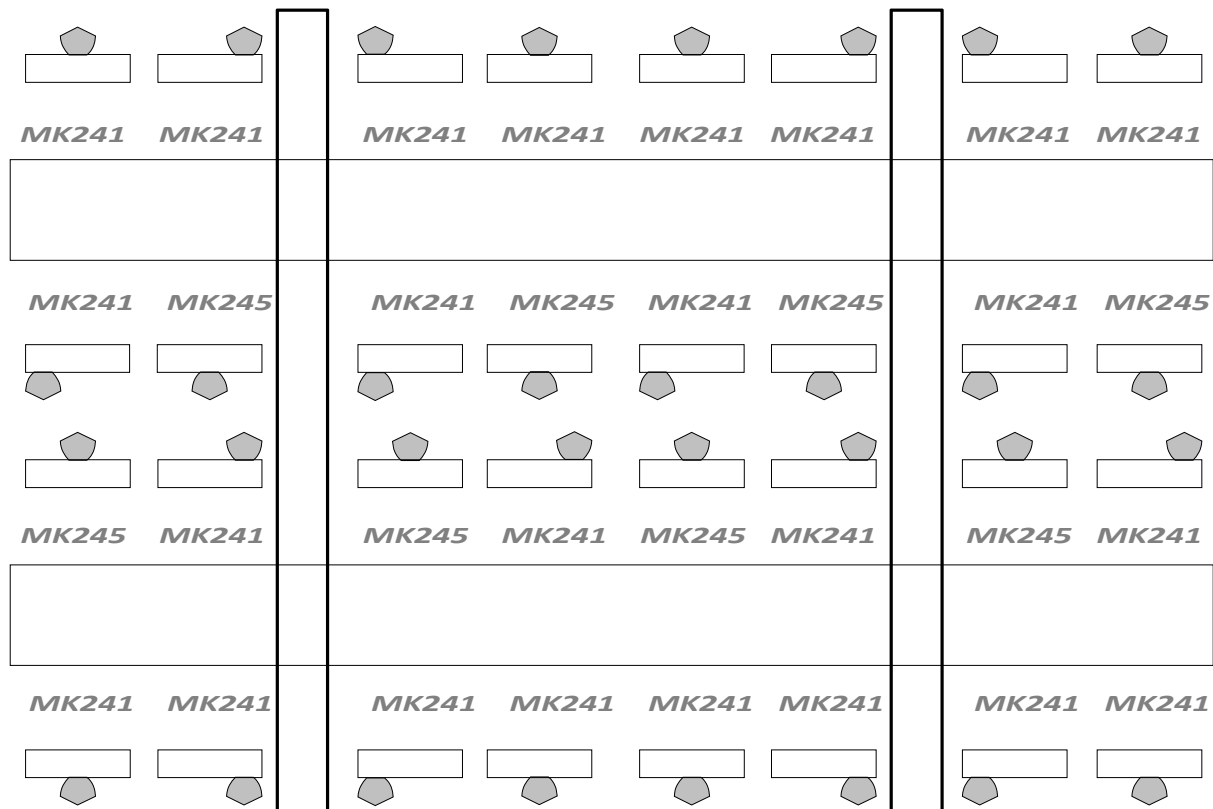
**MK241 : 8**

- Product quality is of paramount importance to us. Therefore we are certified to EN ISO 9001 since more than a decade. Recently we have been certified to EN ISO 14001 and OHSAS 18001 focusing our commitment to the environment as well as to health and safety.
- Certifiés EN-ISO 9001, En-ISO 14001 et OHSAS 18001, pour un service toujours amélioré et un respect des personnes et de l'environnement.



## P & T Type 09-2X

Outils – Tools : 500 mm



**MK241 : 24**  
**MK245 : 8**

- Product quality is of paramount importance to us. Therefore we are certified to EN ISO 9001 since more than a decade. Recently we have been certified to EN ISO 14001 and OHSAS 18001 focusing our commitment to the environment as well as to health and safety.
- Certifiés EN-ISO 9001, En-ISO 14001 et OHSAS 18001, pour un service toujours amélioré et un respect des personnes et de l'environnement.

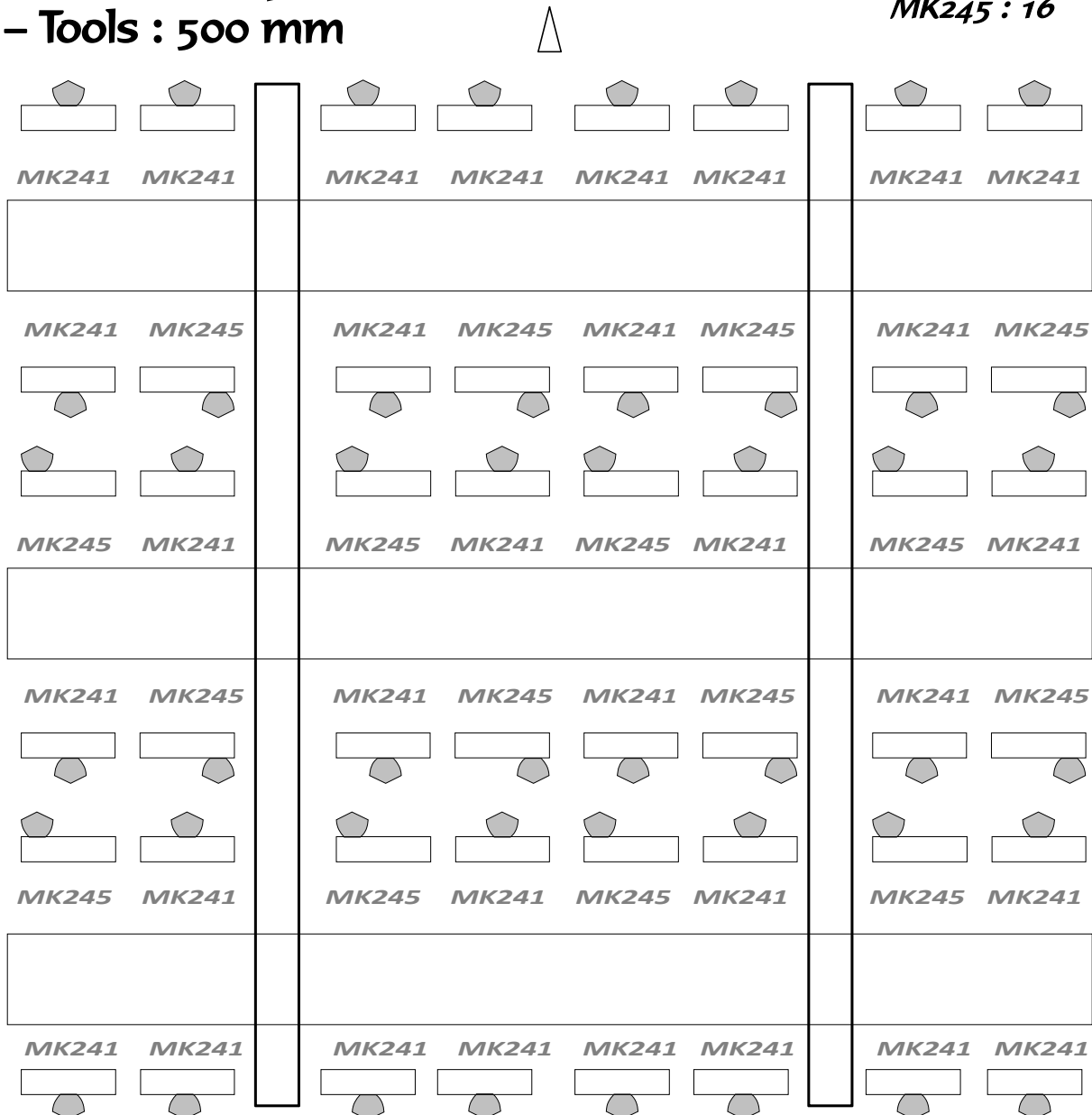


## P & T Type 09-3X

Outils – Tools : 500 mm

MK241 : 32

MK245 : 16





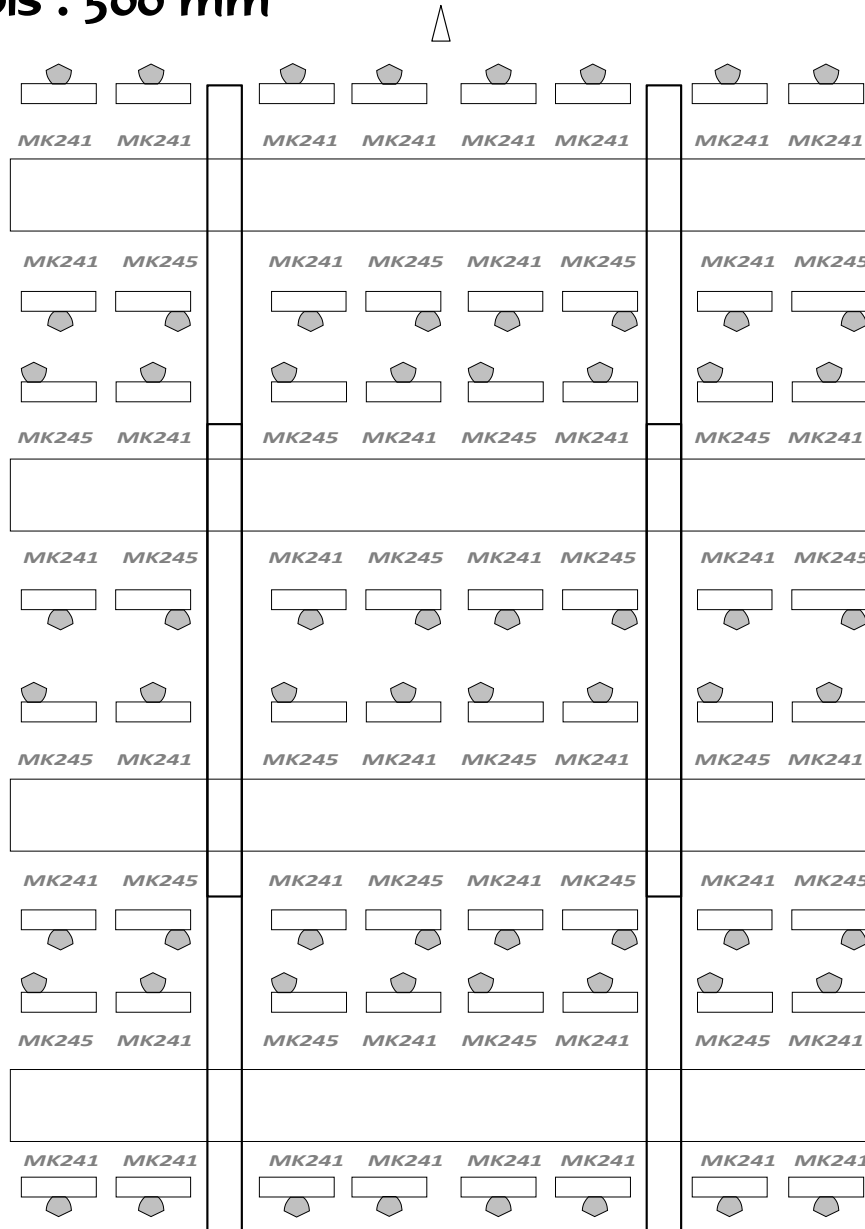
- Product quality is of paramount importance to us. Therefore we are certified to EN ISO 9001 since more than a decade. Recently we have been certified to EN ISO 14001 and OHSAS 18001 focusing our commitment to the environment as well as to health and safety.
- Certifiés EN-ISO 9001, En-ISO 14001 et OHSAS 18001, pour un service toujours amélioré et un respect des personnes et de l'environnement.



## P & T Type 09-4X

Outils – Tools : 500 mm

MK241 : 40  
MK245 : 24



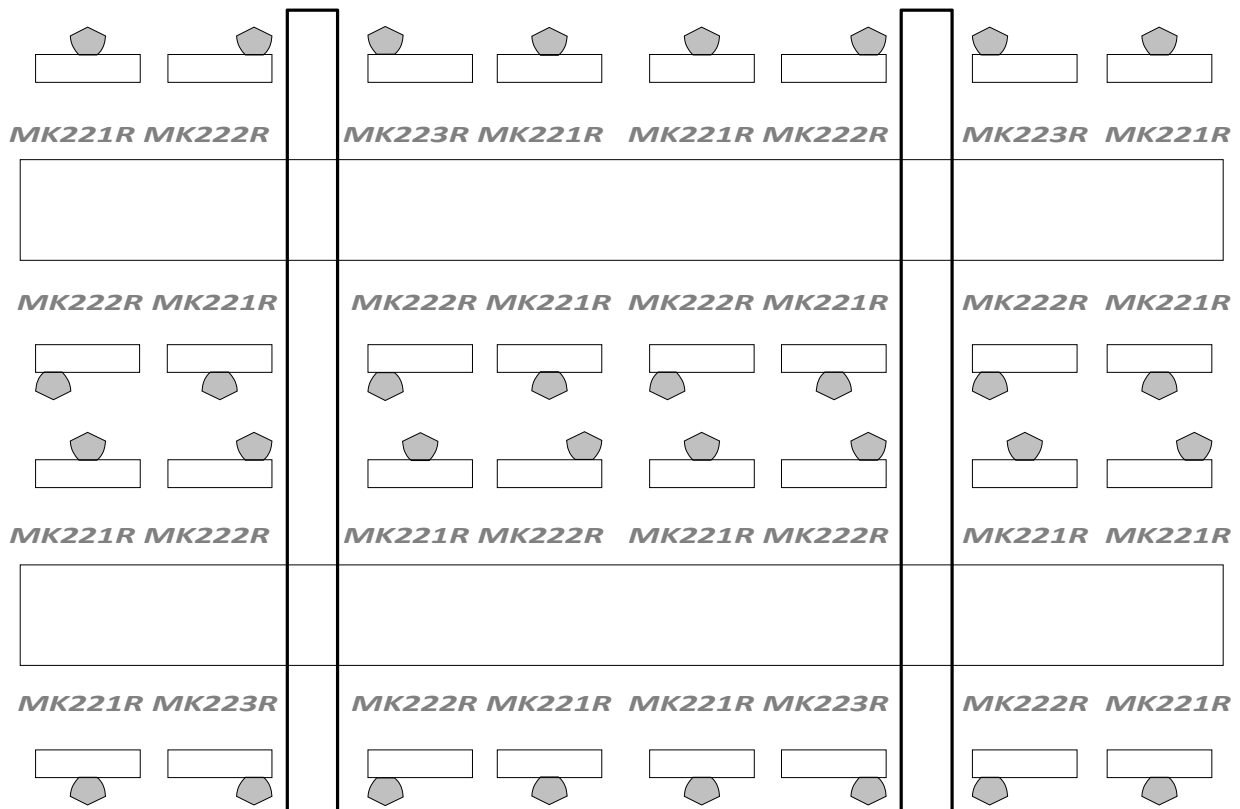
DESSIN NON CONTRACTUEL / NON CONTRACTUAL DRAWING

- Product quality is of paramount importance to us. Therefore we are certified to EN ISO 9001 since more than a decade. Recently we have been certified to EN ISO 14001 and OHSAS 18001 focusing our commitment to the environment as well as to health and safety.
- Certifiés EN-ISO 9001, En-ISO 14001 et OHSAS 18001, pour un service toujours amélioré et un respect des personnes et de l'environnement.



## P & T Type 09 Dynamic

Outils Longs – Long tools : 480 mm



**MK221R : 16**  
**MK222R : 12**  
**MK223R : 4**

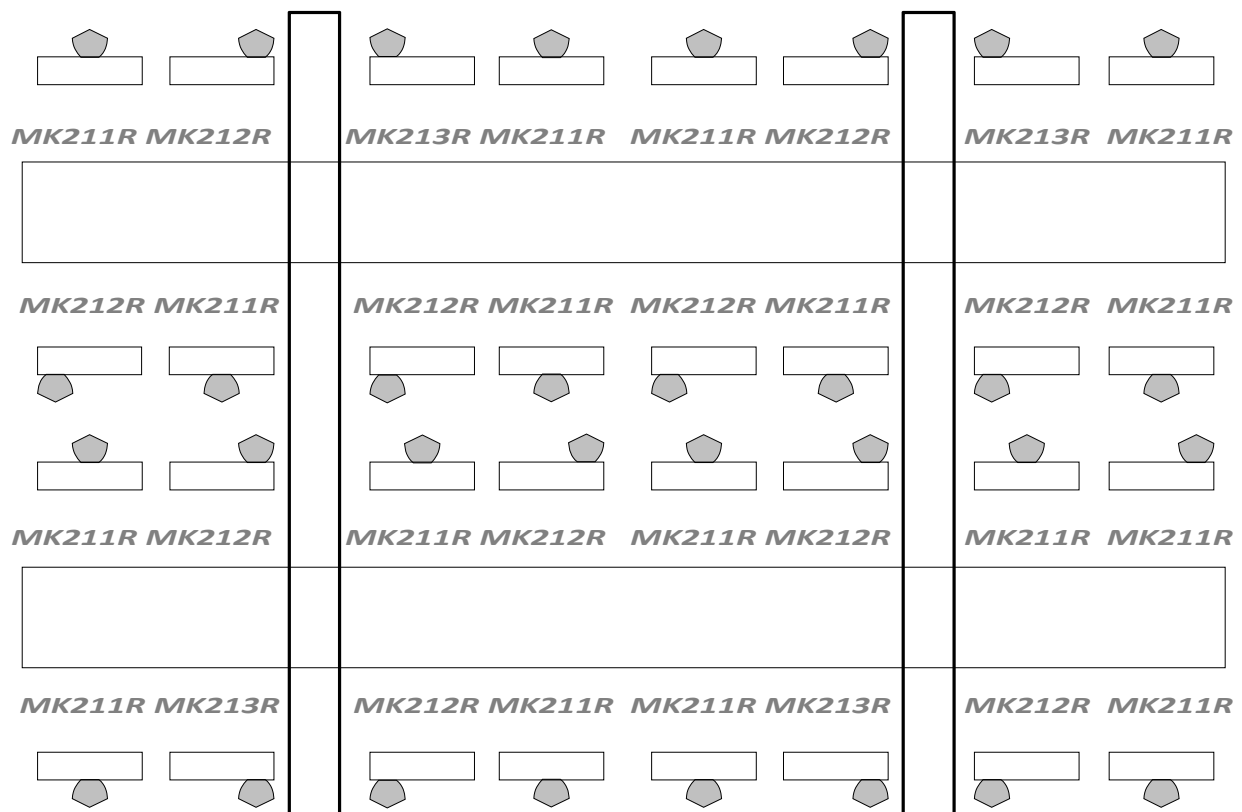


- Product quality is of paramount importance to us. Therefore we are certified to EN ISO 9001 since more than a decade. Recently we have been certified to EN ISO 14001 and OHSAS 18001 focusing our commitment to the environment as well as to health and safety.
- Certifiés EN-ISO 9001, En-ISO 14001 et OHSAS 18001, pour un service toujours amélioré et un respect des personnes et de l'environnement.



## P & T Type 09 Dynamic

Outils moyens – Medium Tools : 450 mm



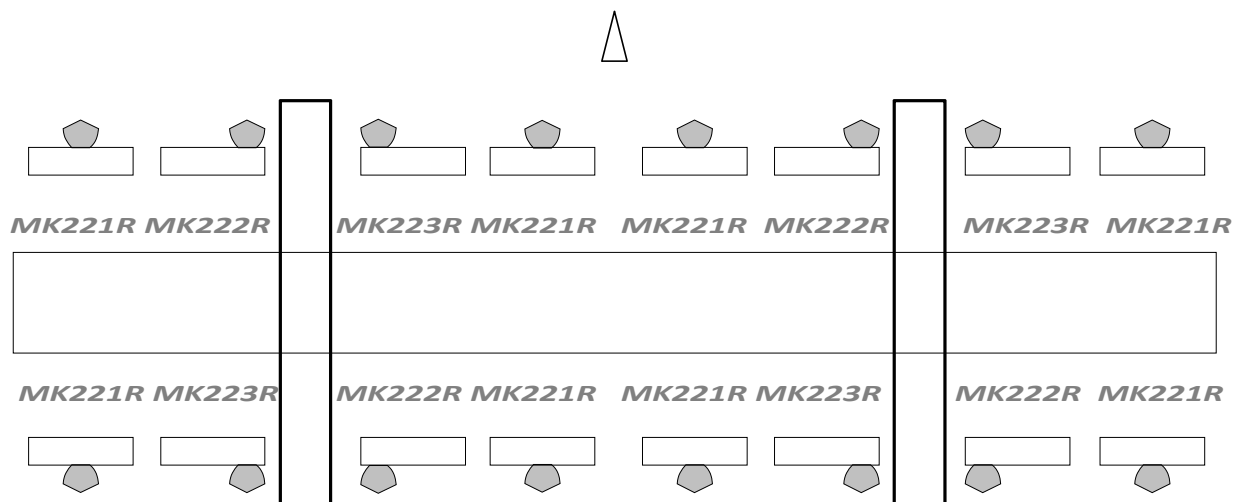
**MK211R : 16**  
**MK212R : 12**  
**MK213R : 4**

- Product quality is of paramount importance to us. Therefore we are certified to EN ISO 9001 since more than a decade. Recently we have been certified to EN ISO 14001 and OHSAS 18001 focusing our commitment to the environment as well as to health and safety.
- Certifiés EN-ISO 9001, En-ISO 14001 et OHSAS 18001, pour un service toujours amélioré et un respect des personnes et de l'environnement.



## P & T Type 09/16 CSM

Outils Longs – Long Tools : 480 mm



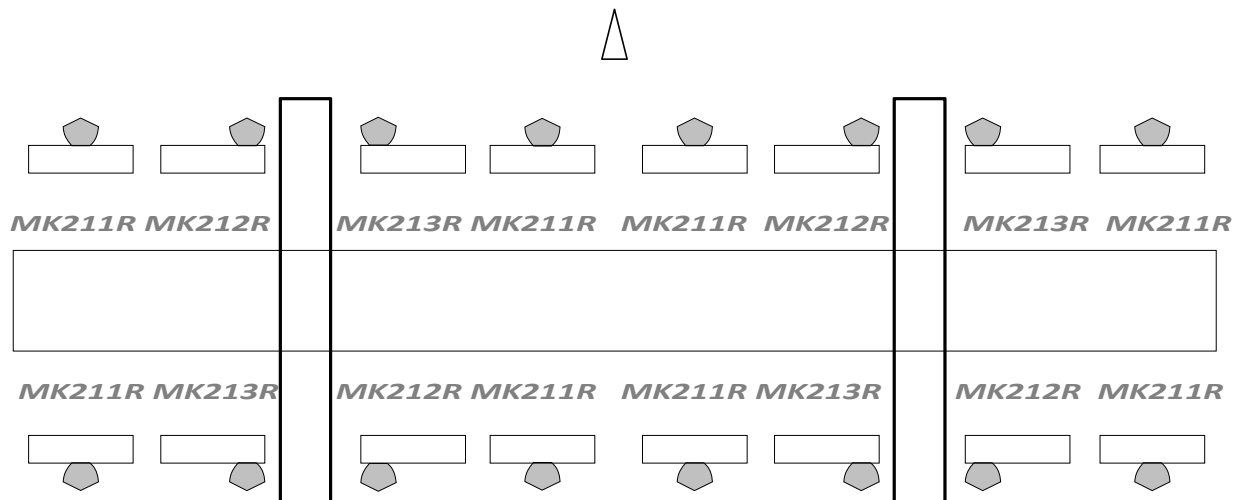
**MK221R : 8**  
**MK222R : 4**  
**MK223R : 4**

- Product quality is of paramount importance to us. Therefore we are certified to EN ISO 9001 since more than a decade. Recently we have been certified to EN ISO 14001 and OHSAS 18001 focusing our commitment to the environment as well as to health and safety.
- Certifiés EN-ISO 9001, En-ISO 14001 et OHSAS 18001, pour un service toujours amélioré et un respect des personnes et de l'environnement.



## P & T Type 09/16 CSM

Outils moyens – Medium Tools : 450 mm



**MK211R : 8**  
**MK212R : 4**  
**MK213R : 4**

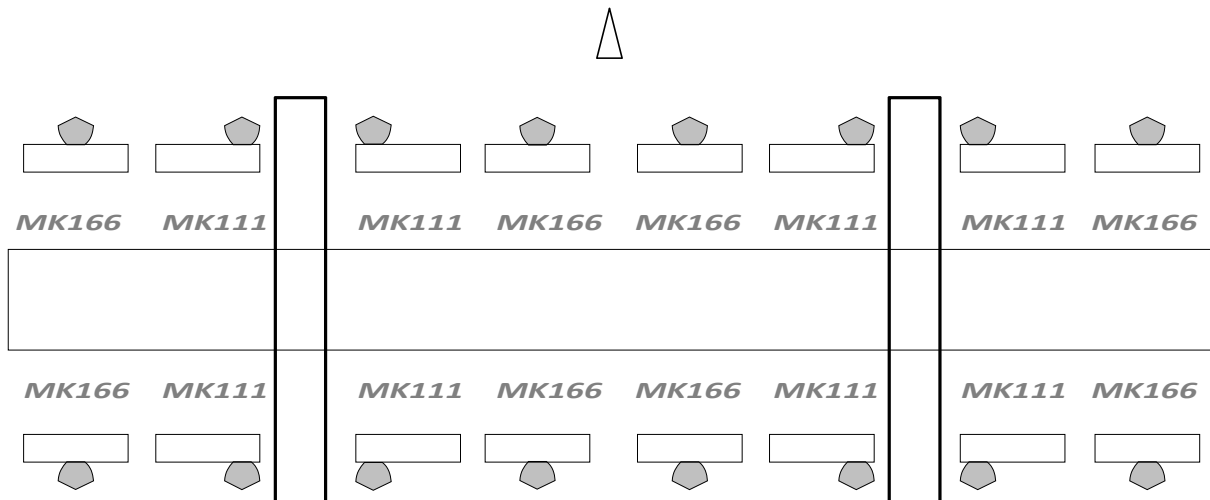
- Product quality is of paramount importance to us. Therefore we are certified to EN ISO 9001 since more than a decade. Recently we have been certified to EN ISO 14001 and OHSAS 18001 focusing our commitment to the environment as well as to health and safety.
- Certifiés EN-ISO 9001, En-ISO 14001 et OHSAS 18001, pour un service toujours amélioré et un respect des personnes et de l'environnement.



## P & T Type 09/16 4S

Avant/Before : 2001

Outils - Tools : 520/590 mm



**MK166 : 8**

**MK111 : 8**

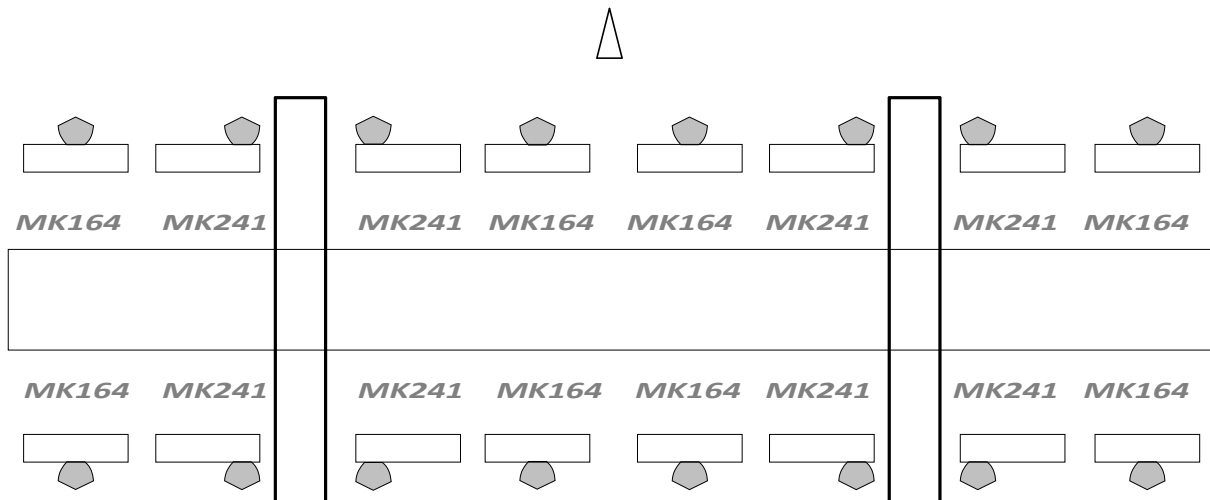
- Product quality is of paramount importance to us. Therefore we are certified to EN ISO 9001 since more than a decade. Recently we have been certified to EN ISO 14001 and OHSAS 18001 focusing our commitment to the environment as well as to health and safety.
- Certifiés EN-ISO 9001, En-ISO 14001 et OHSAS 18001, pour un service toujours amélioré et un respect des personnes et de l'environnement.



## P & T Type 09/16 4S

Après/After : 2001

Outils - Tools : 500 mm



**MK164 : 8**

**MK241 : 8**

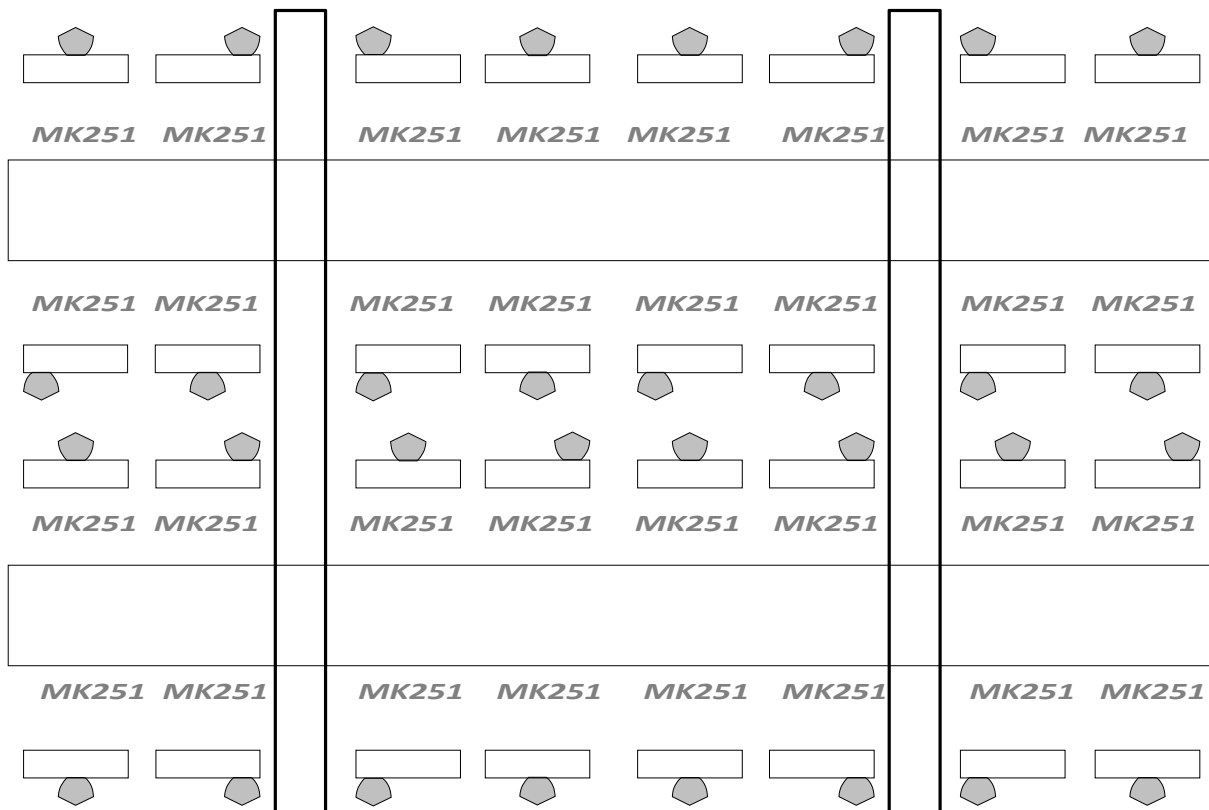
- Product quality is of paramount importance to us. Therefore we are certified to EN ISO 9001 since more than a decade. Recently we have been certified to EN ISO 14001 and OHSAS 18001 focusing our commitment to the environment as well as to health and safety.

- Certifiés EN-ISO 9001, En-ISO 14001 et OHSAS 18001, pour un service toujours amélioré et un respect des personnes et de l'environnement.



## P & T Type 09/32 4S

Outils – Tools : 550 mm



**MK251R : 32**



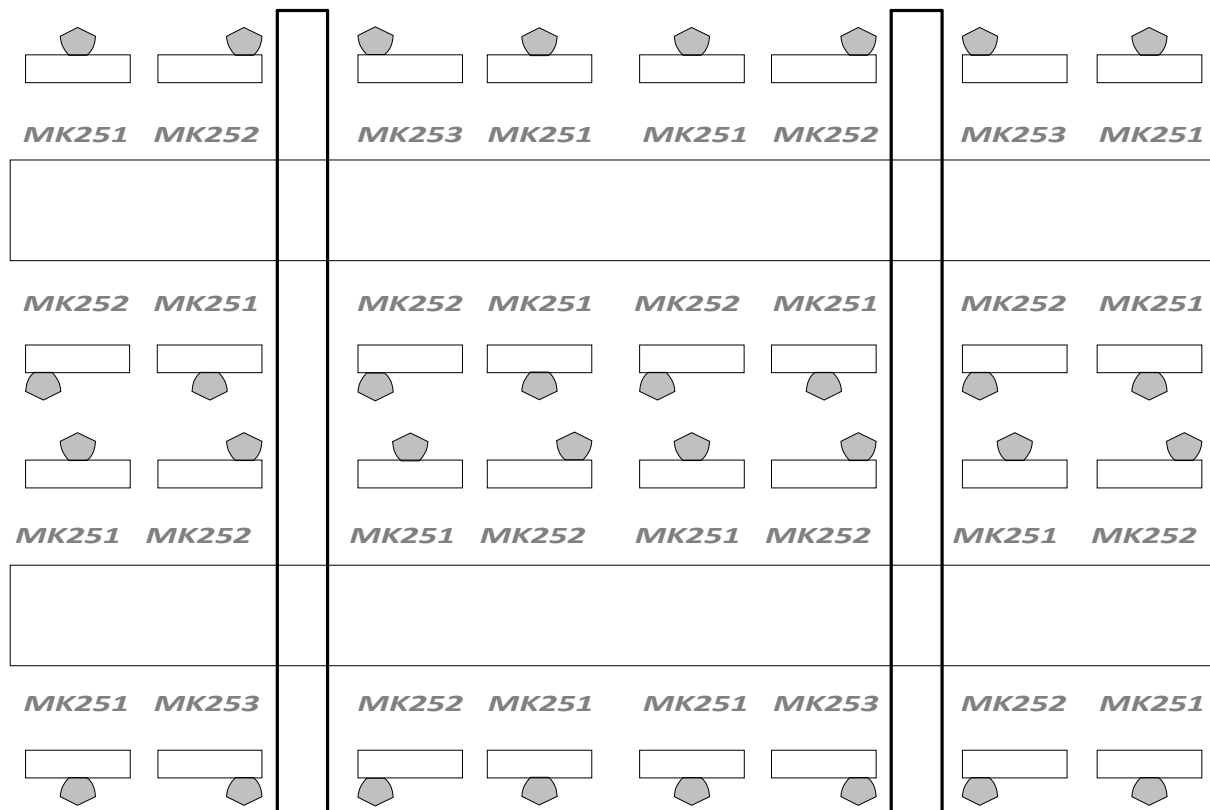
- Product quality is of paramount importance to us. Therefore we are certified to EN ISO 9001 since more than a decade. Recently we have been certified to EN ISO 14001 and OHSAS 18001 focusing our commitment to the environment as well as to health and safety.
- Certifiés EN-ISO 9001, En-ISO 14001 et OHSAS 18001, pour un service toujours amélioré et un respect des personnes et de l'environnement.



## P & T Type 09/32 CSM

Entre/Between : 93-95

Outils – Tools : 550 mm



**MK251 : 16**

**MK252 : 12**

**MK253 : 4**

- Product quality is of paramount importance to us. Therefore we are certified to EN ISO 9001 since more than a decade. Recently we have been certified to EN ISO 14001 and OHSAS 18001 focusing our commitment to the environment as well as to health and safety.

- Certifiés EN-ISO 9001, En-ISO 14001 et OHSAS 18001, pour un service toujours amélioré et un respect des personnes et de l'environnement.



## P & T Type 09/32 CSM

Outils Longs – Long Tools : 480 mm



**MK221R : 16**  
**MK222R : 12**  
**MK223R : 4**

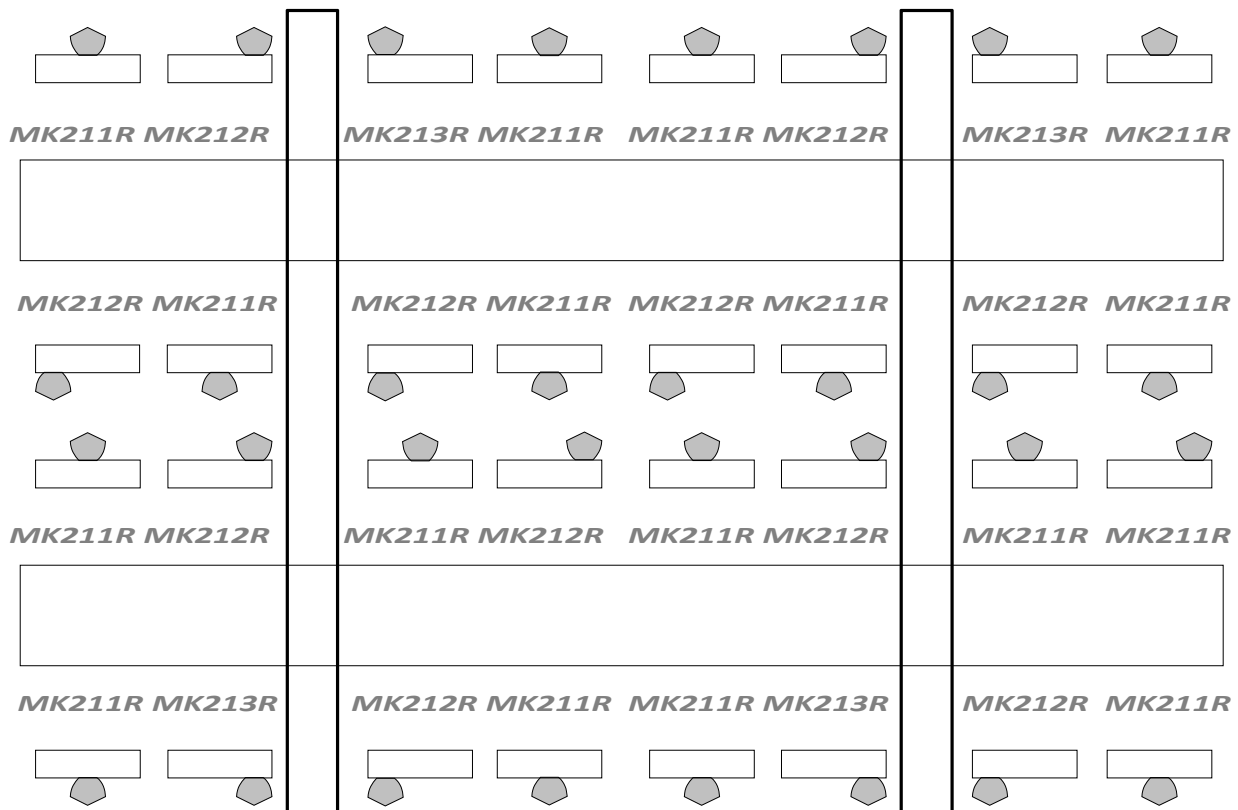


- Product quality is of paramount importance to us. Therefore we are certified to EN ISO 9001 since more than a decade. Recently we have been certified to EN ISO 14001 and OHSAS 18001 focusing our commitment to the environment as well as to health and safety.
- Certifiés EN-ISO 9001, En-ISO 14001 et OHSAS 18001, pour un service toujours amélioré et un respect des personnes et de l'environnement.



## P & T Type 09/32 CSM

Outils moyens – Medium tools : 450 mm



**MK211R : 16**  
**MK212R : 12**  
**MK213R : 4**

- Product quality is of paramount importance to us. Therefore we are certified to EN ISO 9001 since more than a decade. Recently we have been certified to EN ISO 14001 and OHSAS 18001 focusing our commitment to the environment as well as to health and safety.
- Certifiés EN-ISO 9001, En-ISO 14001 et OHSAS 18001, pour un service toujours amélioré et un respect des personnes et de l'environnement.



## P & T Type 09/90

Outils longs – Long tools : 480 mm



MK221R : 16  
 MK222R : 12  
 MK223R : 4

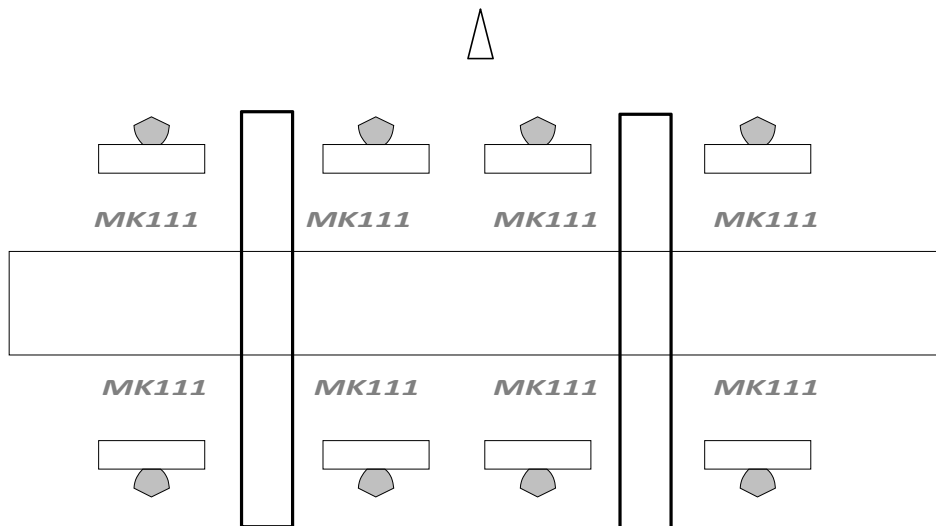


- Product quality is of paramount importance to us. Therefore we are certified to EN ISO 9001 since more than a decade. Recently we have been certified to EN ISO 14001 and OHSAS 18001 focusing our commitment to the environment as well as to health and safety.
- Certifiés EN-ISO 9001, En-ISO 14001 et OHSAS 18001, pour un service toujours amélioré et un respect des personnes et de l'environnement.



## P & T Type 79/800 W

Outils – Tools : 590 mm



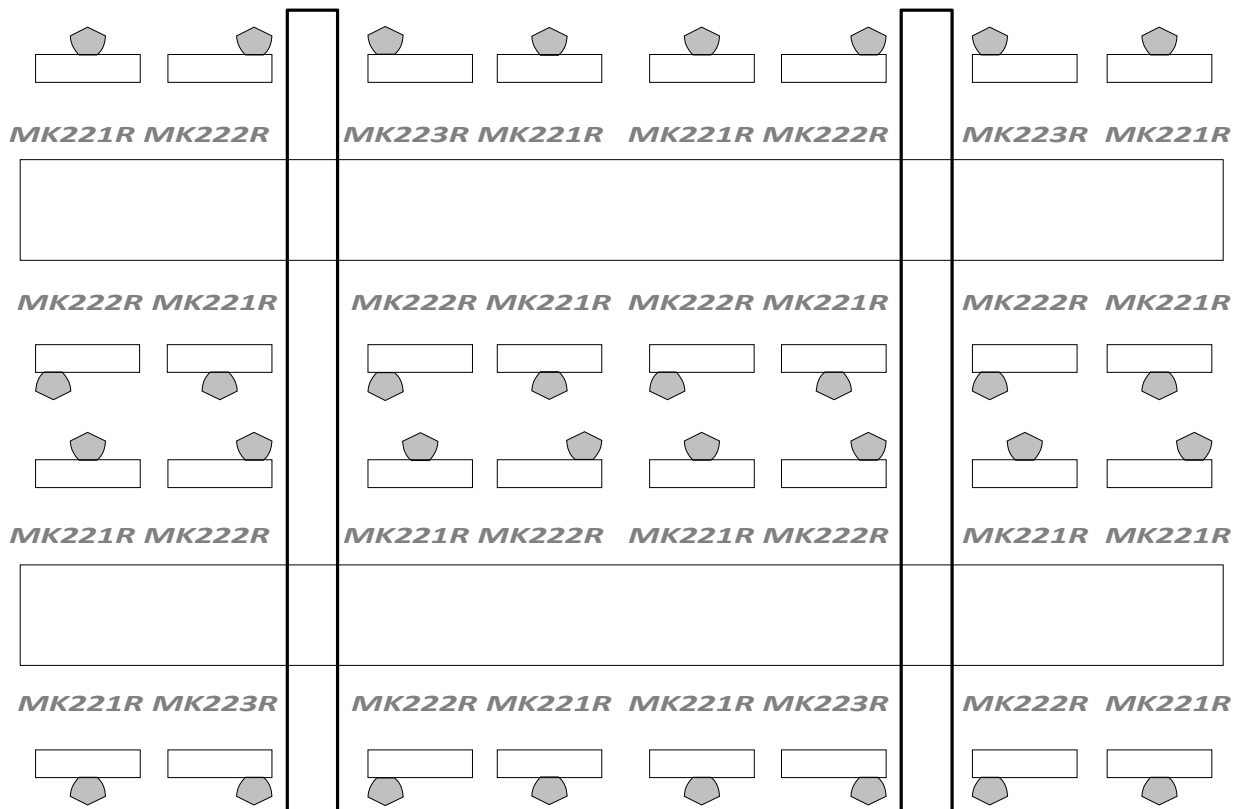
**MK111 : 8**

- Product quality is of paramount importance to us. Therefore we are certified to EN ISO 9001 since more than a decade. Recently we have been certified to EN ISO 14001 and OHSAS 18001 focusing our commitment to the environment as well as to health and safety.
- Certifiés EN-ISO 9001, En-ISO 14001 et OHSAS 18001, pour un service toujours amélioré et un respect des personnes et de l'environnement.



## P & T Type 108/32

Outils – Tools : 480 mm



**MK221R : 16**

**MK222R : 12**

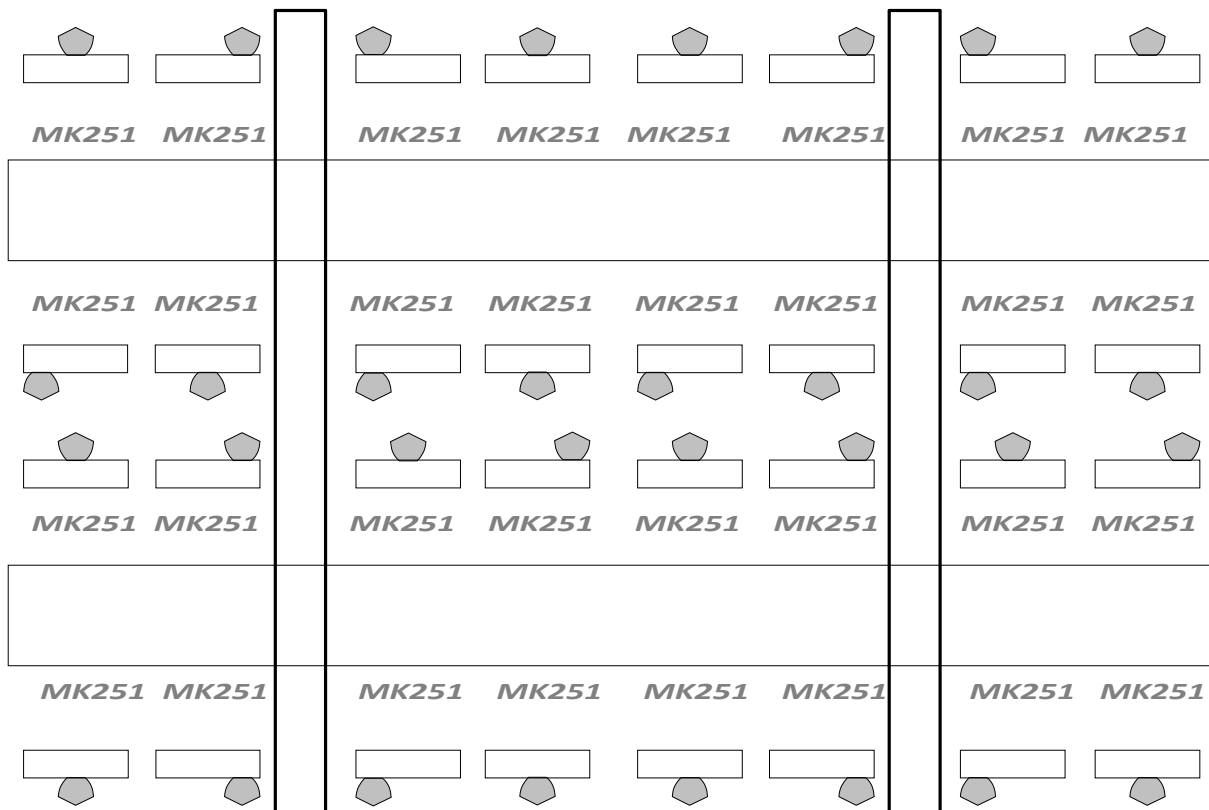
**MK223R : 4**

- Product quality is of paramount importance to us. Therefore we are certified to EN ISO 9001 since more than a decade. Recently we have been certified to EN ISO 14001 and OHSAS 18001 focusing our commitment to the environment as well as to health and safety.
- Certifiés EN-ISO 9001, En-ISO 14001 et OHSAS 18001, pour un service toujours amélioré et un respect des personnes et de l'environnement.



## P & T Type 108 Framafier

Outils – Tools : 550 mm



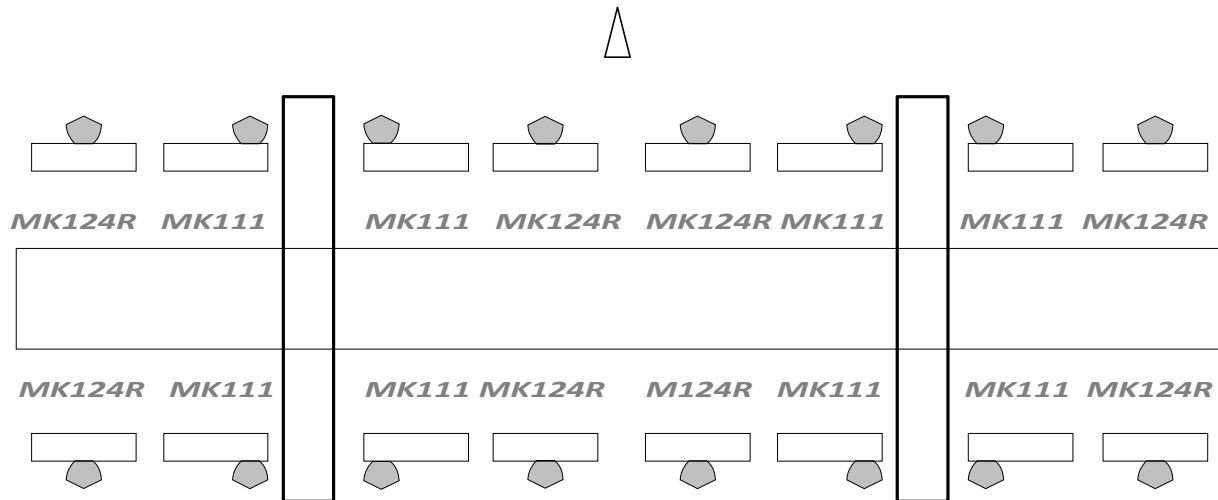
**MK251 : 32**

- Product quality is of paramount importance to us. Therefore we are certified to EN ISO 9001 since more than a decade. Recently we have been certified to EN ISO 14001 and OHSAS 18001 focusing our commitment to the environment as well as to health and safety.
- Certifiés EN-ISO 9001, En-ISO 14001 et OHSAS 18001, pour un service toujours amélioré et un respect des personnes et de l'environnement.



## P & T Type 108/275

Outils – Tools : 480/590 mm



*MK111 : 8*  
*MK124R : 8*

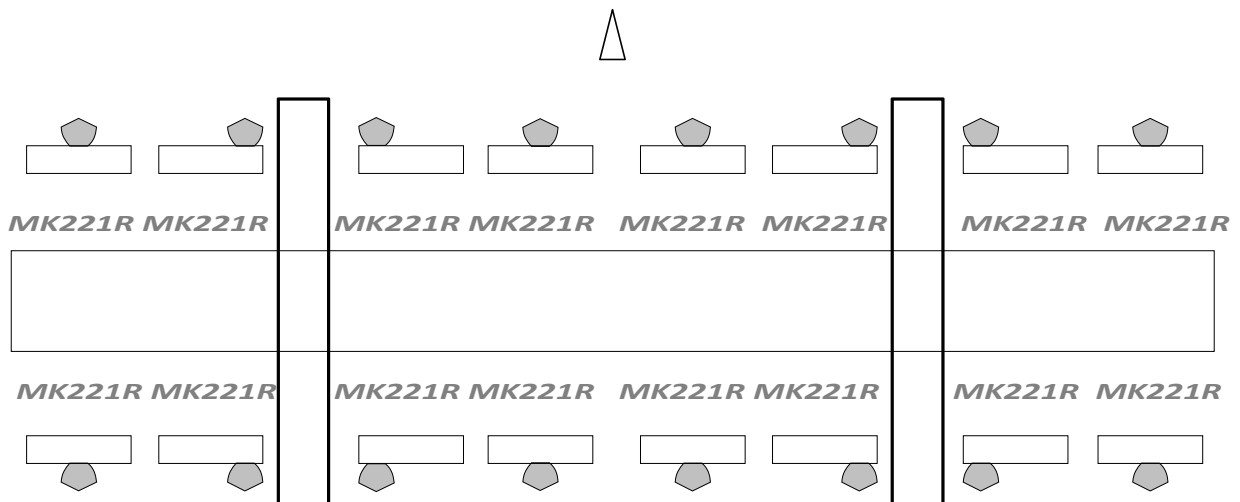


- Product quality is of paramount importance to us. Therefore we are certified to EN ISO 9001 since more than a decade. Recently we have been certified to EN ISO 14001 and OHSAS 18001 focusing our commitment to the environment as well as to health and safety.
- Certifiés EN-ISO 9001, En-ISO 14001 et OHSAS 18001, pour un service toujours amélioré et un respect des personnes et de l'environnement.



## P & T Type 108-475

Outils longs – Long tools : 480 mm



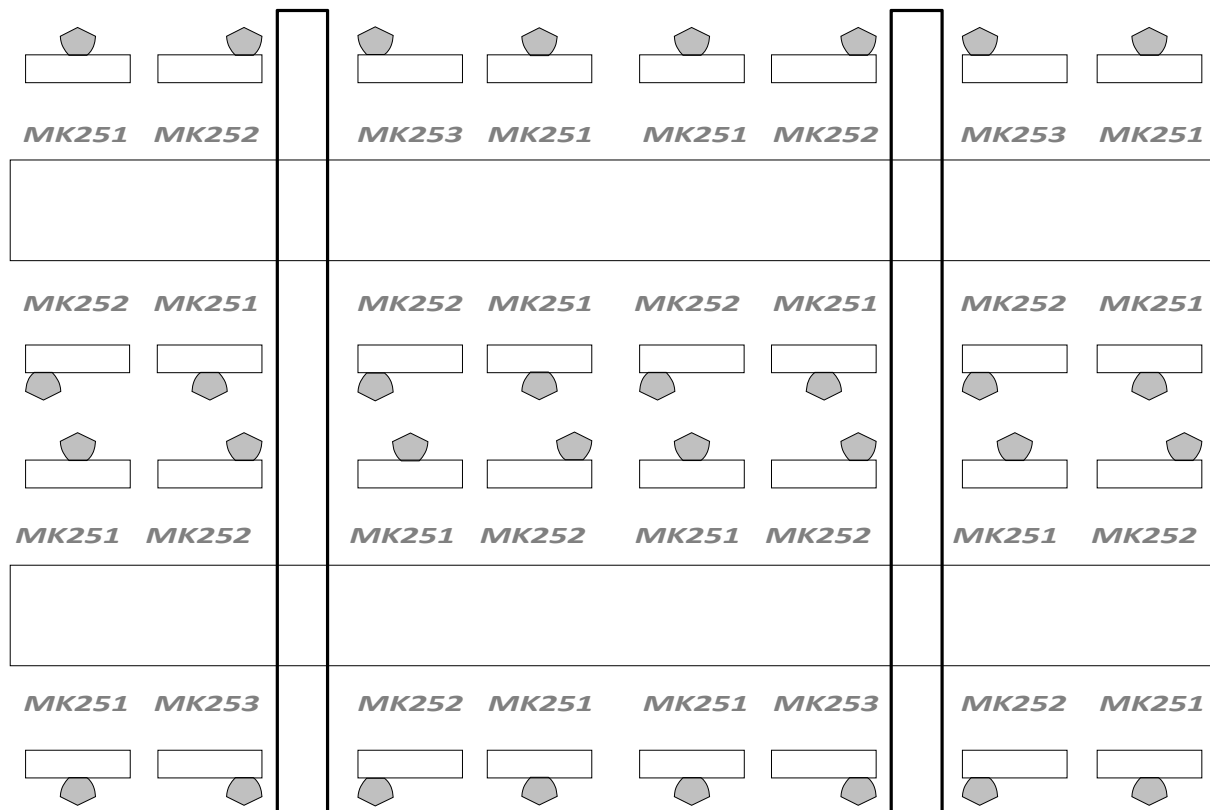
**MK221R : 16**

- Product quality is of paramount importance to us. Therefore we are certified to EN ISO 9001 since more than a decade. Recently we have been certified to EN ISO 14001 and OHSAS 18001 focusing our commitment to the environment as well as to health and safety.
- Certifiés EN-ISO 9001, En-ISO 14001 et OHSAS 18001, pour un service toujours amélioré et un respect des personnes et de l'environnement.



## P & T Type 109 Framaffer

Outils – Tools : 550 mm



**MK251 : 16**  
**MK252 : 12**  
**MK253 : 4**

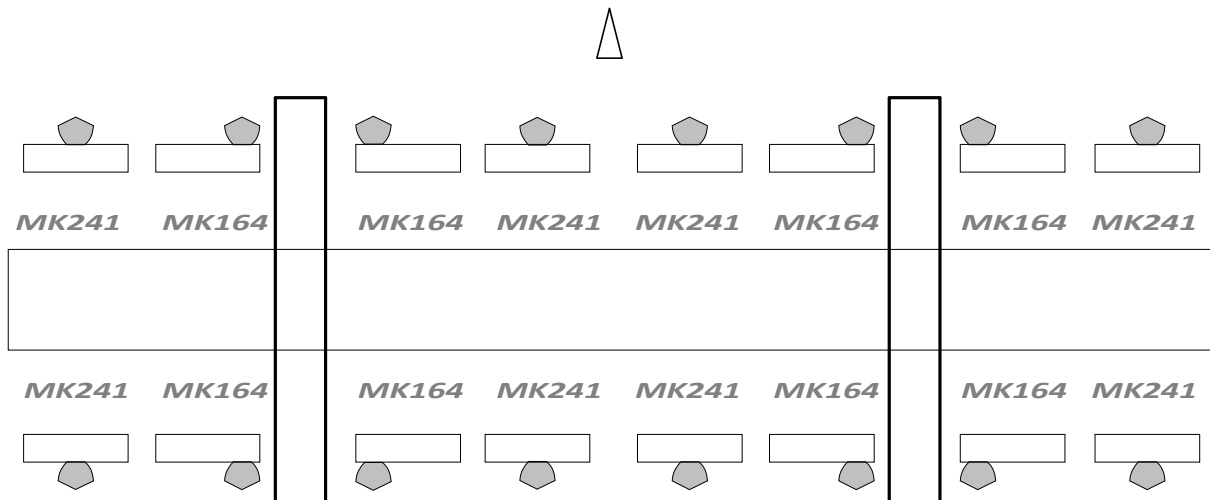
- Product quality is of paramount importance to us. Therefore we are certified to EN ISO 9001 since more than a decade. Recently we have been certified to EN ISO 14001 and OHSAS 18001 focusing our commitment to the environment as well as to health and safety.
- Certifiés EN-ISO 9001, En-ISO 14001 et OHSAS 18001, pour un service toujours amélioré et un respect des personnes et de l'environnement.



## P & T Type 4X4

Après/After : 2001

Outils - Tools : 500 mm



**MK164 : 8**

**MK241 : 8**

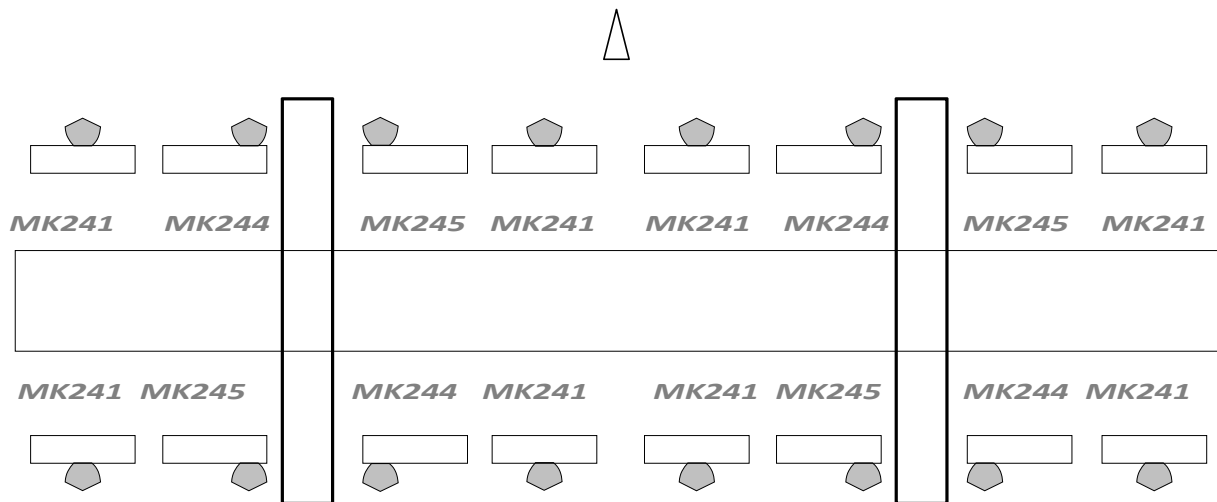
- Product quality is of paramount importance to us. Therefore we are certified to EN ISO 9001 since more than a decade. Recently we have been certified to EN ISO 14001 and OHSAS 18001 focusing our commitment to the environment as well as to health and safety.
- Certifiés EN-ISO 9001, En-ISO 14001 et OHSAS 18001, pour un service toujours amélioré et un respect des personnes et de l'environnement.



## P & T Type 4X4C 100-RT

Après/After : 2002

Outils – Tools : 500 mm



**MK241 : 8**  
**MK244 : 4**  
**MK245 : 4**

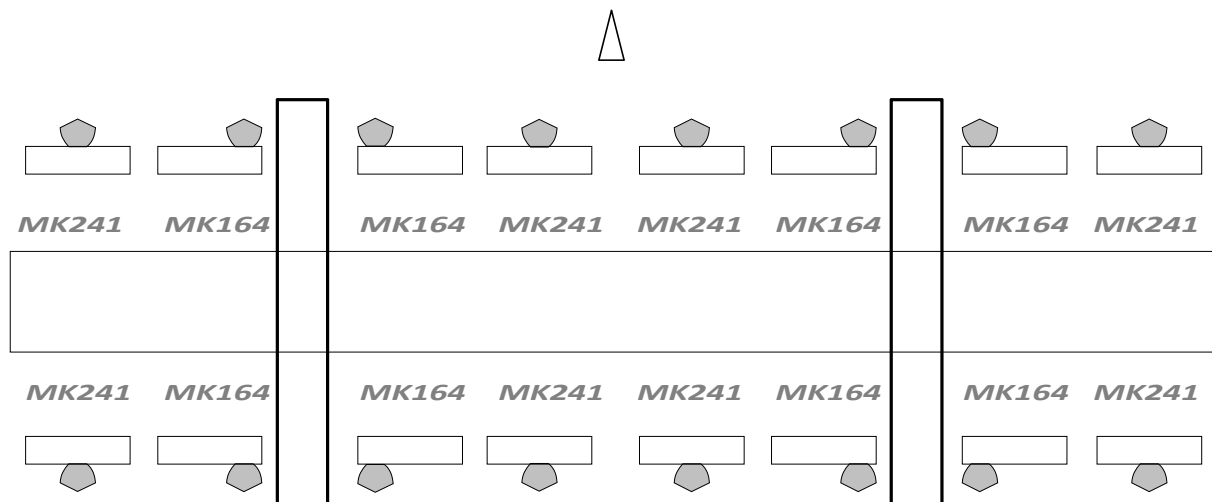
- Product quality is of paramount importance to us. Therefore we are certified to EN ISO 9001 since more than a decade. Recently we have been certified to EN ISO 14001 and OHSAS 18001 focusing our commitment to the environment as well as to health and safety.
- Certifiés EN-ISO 9001, En-ISO 14001 et OHSAS 18001, pour un service toujours amélioré et un respect des personnes et de l'environnement.



## P & T Type 4S-RT

Après/After : 2001

Outils – Tools : 500 mm



**MK164 : 8**

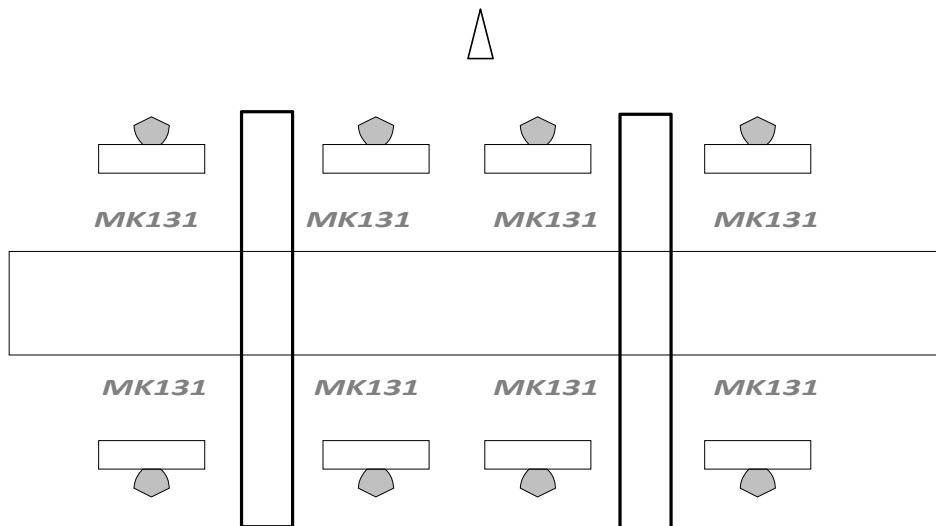
**MK241 : 8**

- Product quality is of paramount importance to us. Therefore we are certified to EN ISO 9001 since more than a decade. Recently we have been certified to EN ISO 14001 and OHSAS 18001 focusing our commitment to the environment as well as to health and safety.
- Certifiés EN-ISO 9001, En-ISO 14001 et OHSAS 18001, pour un service toujours amélioré et un respect des personnes et de l'environnement.



## P & T Type UST 78 W

Outils – Tools : 520 mm



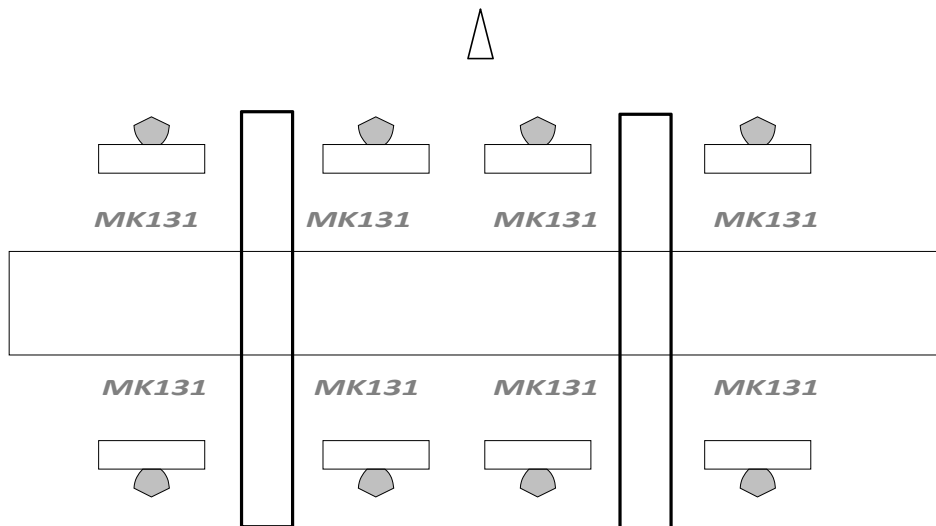
**MK131 : 8**

- Product quality is of paramount importance to us. Therefore we are certified to EN ISO 9001 since more than a decade. Recently we have been certified to EN ISO 14001 and OHSAS 18001 focusing our commitment to the environment as well as to health and safety.
- Certifiés EN-ISO 9001, En-ISO 14001 et OHSAS 18001, pour un service toujours amélioré et un respect des personnes et de l'environnement.



## P & T Type UST 79S

Outils – Tools : 520 mm



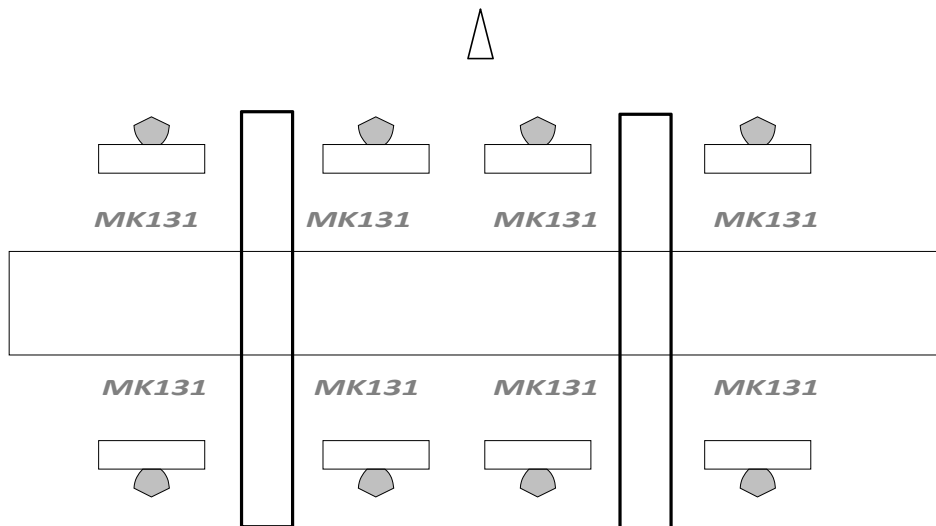
**MK131 : 8**

- Product quality is of paramount importance to us. Therefore we are certified to EN ISO 9001 since more than a decade. Recently we have been certified to EN ISO 14001 and OHSAS 18001 focusing our commitment to the environment as well as to health and safety.
- Certifiés EN-ISO 9001, En-ISO 14001 et OHSAS 18001, pour un service toujours amélioré et un respect des personnes et de l'environnement.



## P & T Type UST 79W

Outils – Tools : 520mm



**MK131 : 8**

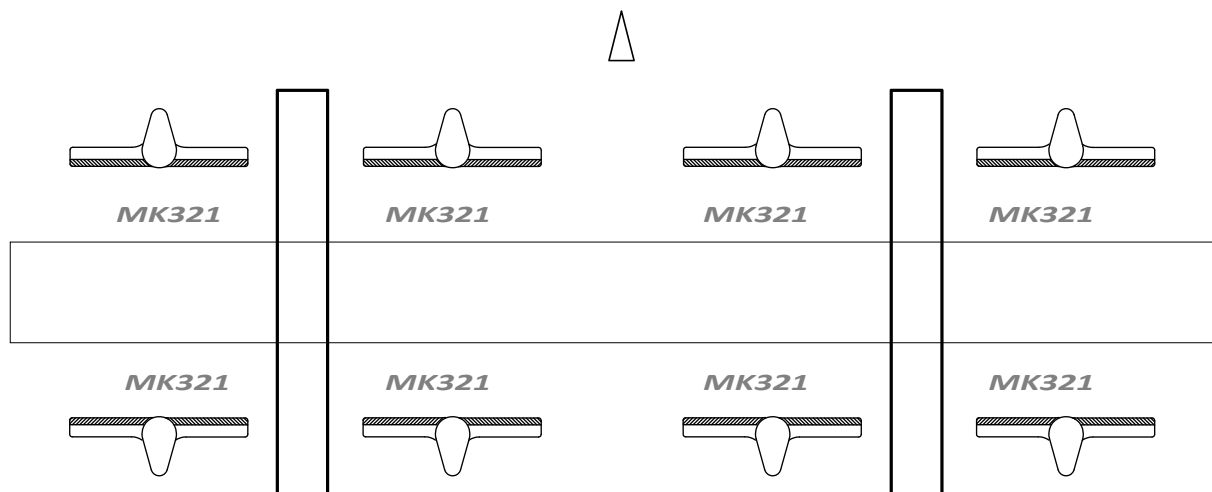


- Product quality is of paramount importance to us. Therefore we are certified to EN ISO 9001 since more than a decade. Recently we have been certified to EN ISO 14001 and OHSAS 18001 focusing our commitment to the environment as well as to health and safety.
- Certifiés EN-ISO 9001, En-ISO 14001 et OHSAS 18001, pour un service toujours amélioré et un respect des personnes et de l'environnement.



## MATISA Type B20BI AC-4

Outils – Tools : 510 mm



**MK321 : 8** (OEM # 12.70.114.000.00 ou/or 19.82.203.360.01)

les Machines n° 803 et 805 sont équipées de ces outils courts (France)

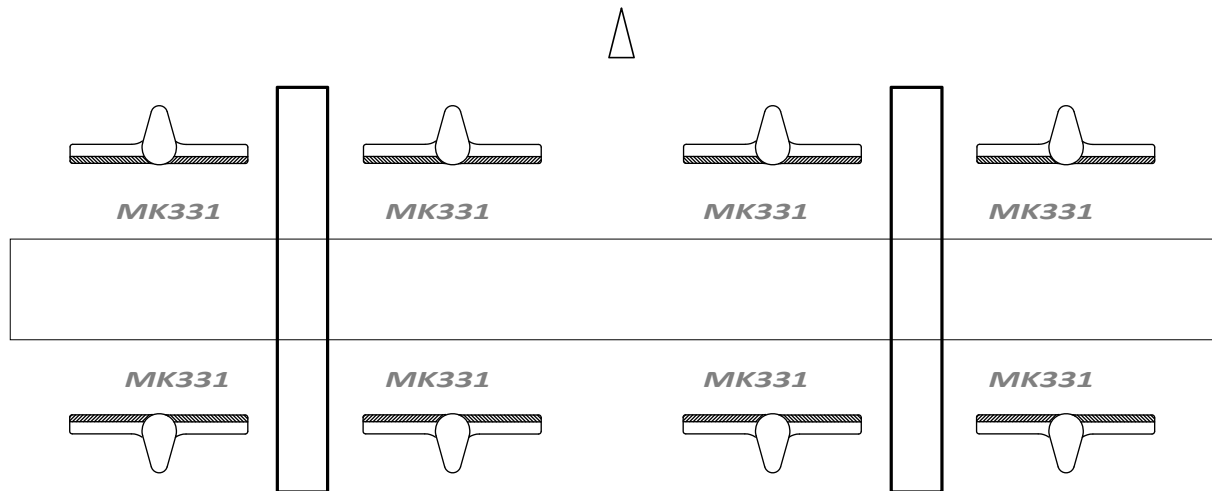
La B20BI AC-4 peut également être équipée avec des MK331 - outils longs (page suivante)  
The B20BI AC-4 may be equipped with MK331- long tools (next page)

- Product quality is of paramount importance to us. Therefore we are certified to EN ISO 9001 since more than a decade. Recently we have been certified to EN ISO 14001 and OHSAS 18001 focusing our commitment to the environment as well as to health and safety.
- Certifiés EN-ISO 9001, En-ISO 14001 et OHSAS 18001, pour un service toujours amélioré et un respect des personnes et de l'environnement.



## MATISA Types Combizo - B20BI AC-4

Outils – Tools : 550 mm



**MK331 : 8** (OEM # 12.70.116.000.00 ou 14.70.109.000.00)

La machine n° 801 est équipée de ces outils longs (France)

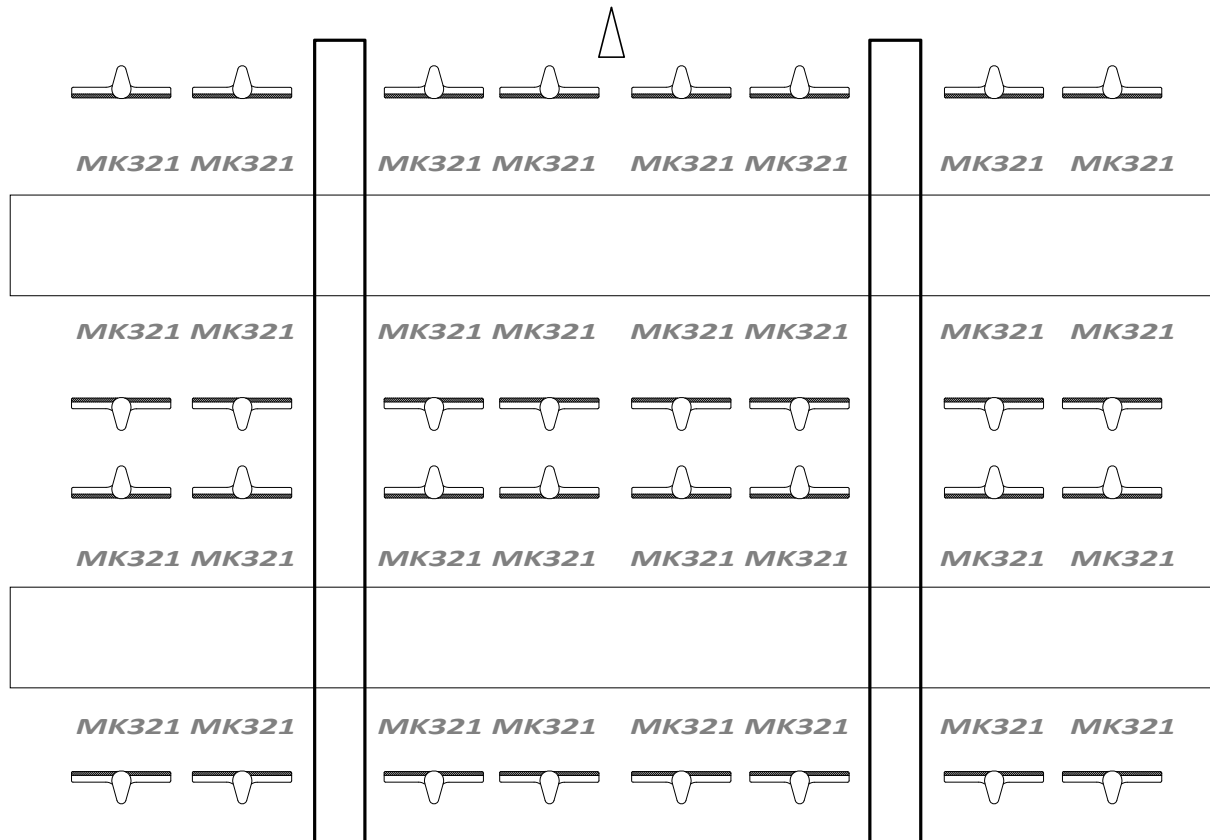
La B20BI AC-4 peut également être équipée avec des MK321 - outils courts (page précédente)  
The B20BI AC-4 may be equipped with MK321- short tools (previous page)

- Product quality is of paramount importance to us. Therefore we are certified to EN ISO 9001 since more than a decade. Recently we have been certified to EN ISO 14001 and OHSAS 18001 focusing our commitment to the environment as well as to health and safety.
- Certifiés EN-ISO 9001, En-ISO 14001 et OHSAS 18001, pour un service toujours amélioré et un respect des personnes et de l'environnement.



## MATISA Types B30D - B40D - B41D - B45D - B50D

Outils Standards – Standard tools : 510 mm



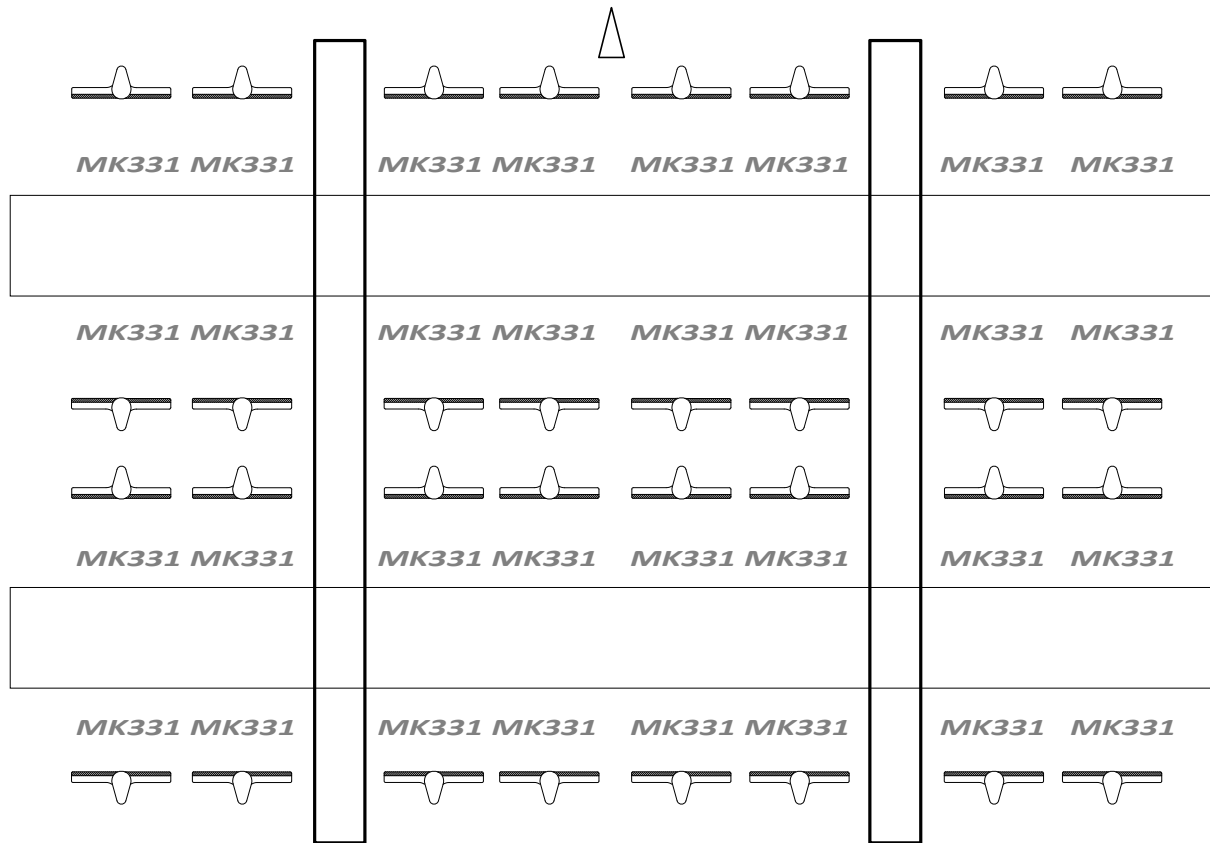
**MK321 : 32** (OEM # 12.70.114.000.00 ou 19.82.203.360.01)

- Product quality is of paramount importance to us. Therefore we are certified to EN ISO 9001 since more than a decade. Recently we have been certified to EN ISO 14001 and OHSAS 18001 focusing our commitment to the environment as well as to health and safety.
- Certifiés EN-ISO 9001, En-ISO 14001 et OHSAS 18001, pour un service toujours amélioré et un respect des personnes et de l'environnement.



## MATISA Types B45D – B50D

Outils longs – Long tools : 550 mm



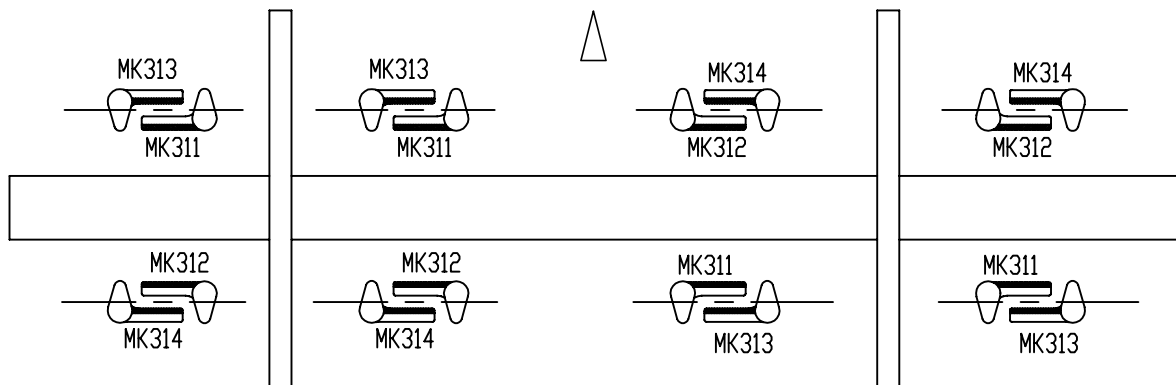
**MK331 : 32** (OEM # 12.70.116.000.00 ou 14.70.109.000.00)

- Product quality is of paramount importance to us. Therefore we are certified to EN ISO 9001 since more than a decade. Recently we have been certified to EN ISO 14001 and OHSAS 18001 focusing our commitment to the environment as well as to health and safety.
- Certifiés EN-ISO 9001, En-ISO 14001 et OHSAS 18001, pour un service toujours amélioré et un respect des personnes et de l'environnement.



## MATISA Types B40U - B41U - B66U

Outils – Tools : 530 mm



**MK311** : 4 (OEM # 12.70.115.00001 - Pos1 ou 19.82.447.140.01)

**MK312** : 4 (OEM # 12.70.115.00002 - Pos2 ou 19.82.447.140.02)

**MK313** : 4 (OEM # 12.70.115.00003 - Pos3 ou 19.82.447.140.01)

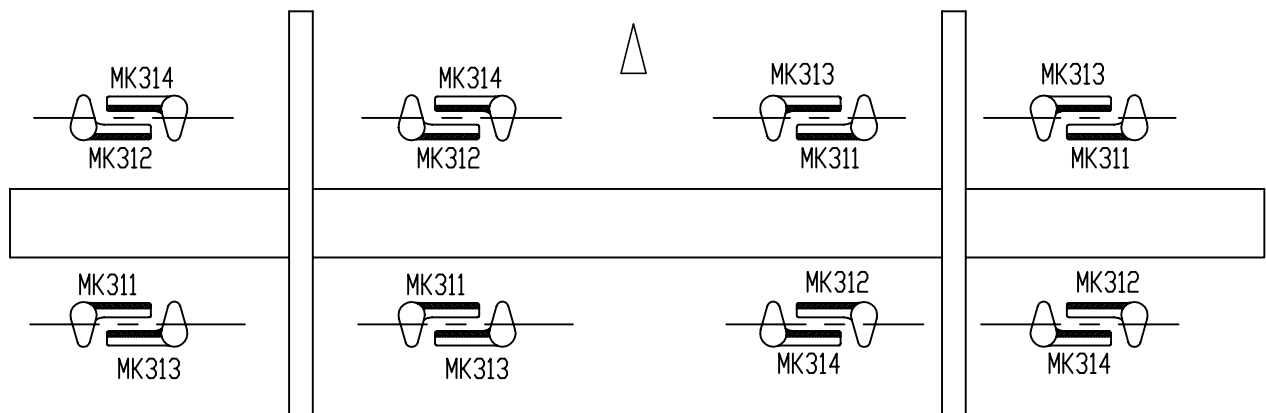
**MK314** : 4 (OEM # 12.70.115.00004 - Pos4 ou 19.82.447.140.02)

- Product quality is of paramount importance to us. Therefore we are certified to EN ISO 9001 since more than a decade. Recently we have been certified to EN ISO 14001 and OHSAS 18001 focusing our commitment to the environment as well as to health and safety.
- Certifiés EN-ISO 9001, En-ISO 14001 et OHSAS 18001, pour un service toujours amélioré et un respect des personnes et de l'environnement.



## MATISA Types B40UE - B41UE - B45UE

Outils – Tools : 530 mm



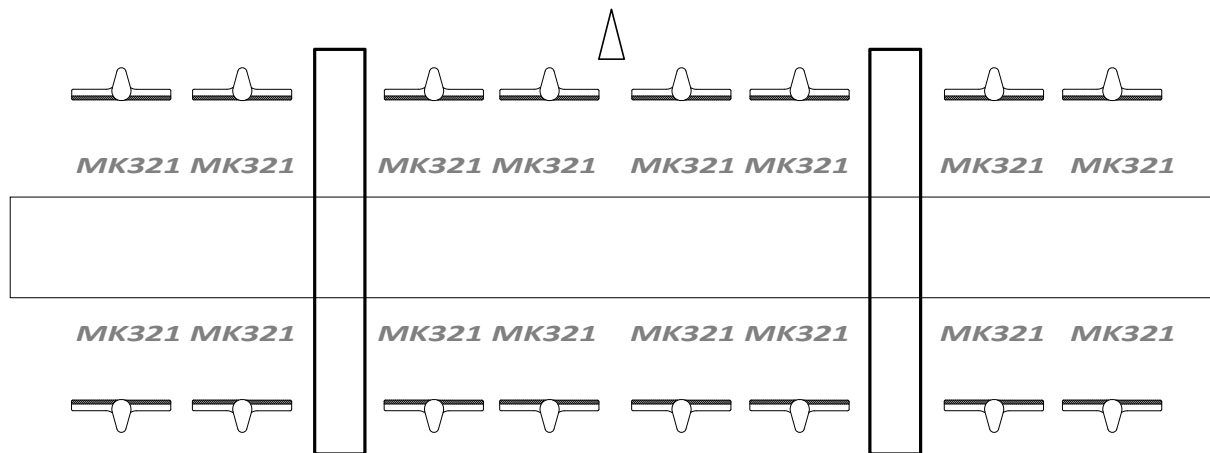
- MK311** : 4 (OEM # 12.70.115.00001 - Pos1 ou 19.82.447.140.01)
- MK312** : 4 (OEM # 12.70.115.00002 - Pos2 ou 19.82.447.140.0 2)
- MK313** : 4 (OEM # 12.70.115.00003 - Pos3 ou 19.82.447.140.01)
- MK314** : 4 (OEM # 12.70.115.00004 - Pos4 ou 19.82.447.140. 02)

- Product quality is of paramount importance to us. Therefore we are certified to EN ISO 9001 since more than a decade. Recently we have been certified to EN ISO 14001 and OHSAS 18001 focusing our commitment to the environment as well as to health and safety.
- Certifiés EN-ISO 9001, En-ISO 14001 et OHSAS 18001, pour un service toujours amélioré et un respect des personnes et de l'environnement.



## MATISA Types B20L - B30L - B40L - B45L

Outils – Tools : 510 mm



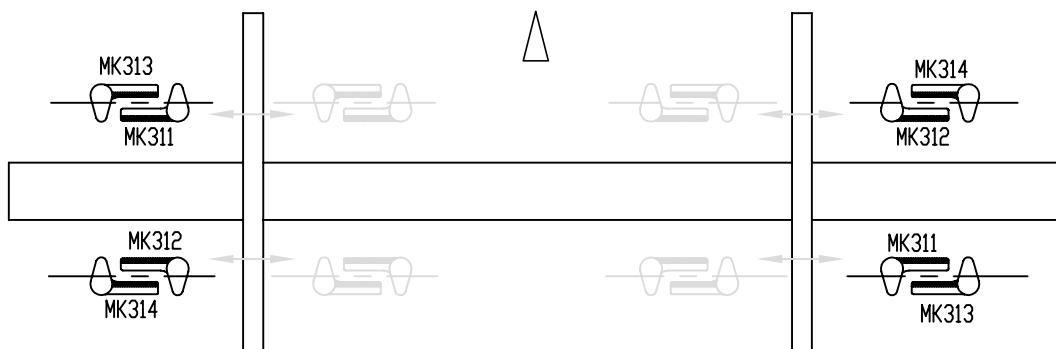
**MK321 : 16** (OEM # 12.70.114.000.00 ou 19.82.203.360.01)

- Product quality is of paramount importance to us. Therefore we are certified to EN ISO 9001 since more than a decade. Recently we have been certified to EN ISO 14001 and OHSAS 18001 focusing our commitment to the environment as well as to health and safety.
- Certifiés EN-ISO 9001, En-ISO 14001 et OHSAS 18001, pour un service toujours amélioré et un respect des personnes et de l'environnement.



## MATISA Types B20C - B20-75C - B20-95C

Outils – Tools : 530 mm



**MK311** : 2 (OEM # 12.70.115.00001 - Pos1 ou 19.82.447.140.01)

**MK312** : 2 (OEM # 12.70.115.00002 - Pos2 ou 19.82.447.140.02)

**MK313** : 2 (OEM # 12.70.115.00003 - Pos3 ou 19.82.447.140.01)

**MK314** : 2 (OEM # 12.70.115.00004 - Pos4 ou 19.82.447.140.02)



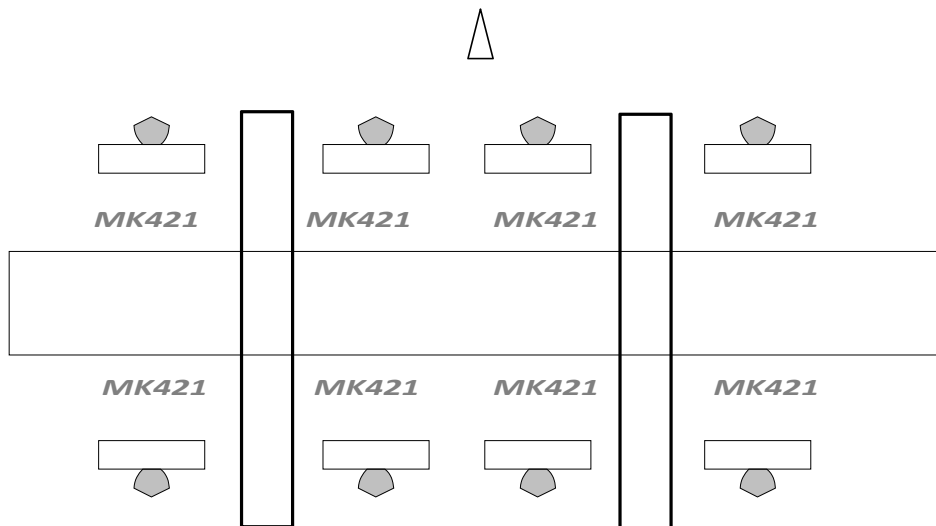
- Product quality is of paramount importance to us. Therefore we are certified to EN ISO 9001 since more than a decade. Recently we have been certified to EN ISO 14001 and OHSAS 18001 focusing our commitment to the environment as well as to health and safety.
- Certifiés EN-ISO 9001, En-ISO 14001 et OHSAS 18001, pour un service toujours amélioré et un respect des personnes et de l'environnement.



## JACKSON

Machine de voie – Plain line machine

Outils – Tools : 500 mm



*MK421 : 8*

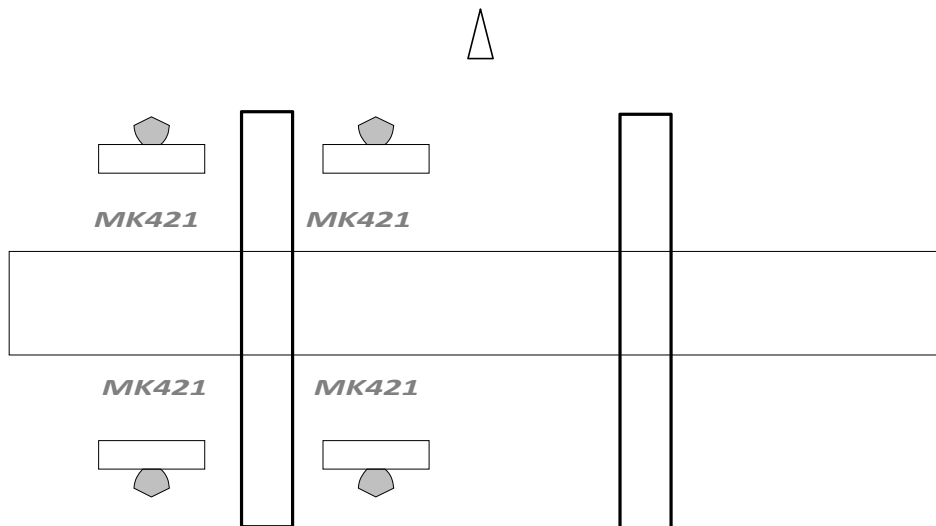
- Product quality is of paramount importance to us. Therefore we are certified to EN ISO 9001 since more than a decade. Recently we have been certified to EN ISO 14001 and OHSAS 18001 focusing our commitment to the environment as well as to health and safety.
- Certifiés EN-ISO 9001, En-ISO 14001 et OHSAS 18001, pour un service toujours amélioré et un respect des personnes et de l'environnement.



## JACKSON

Machine d'appareils/Switchs machine

Outils – Tools : 500 mm



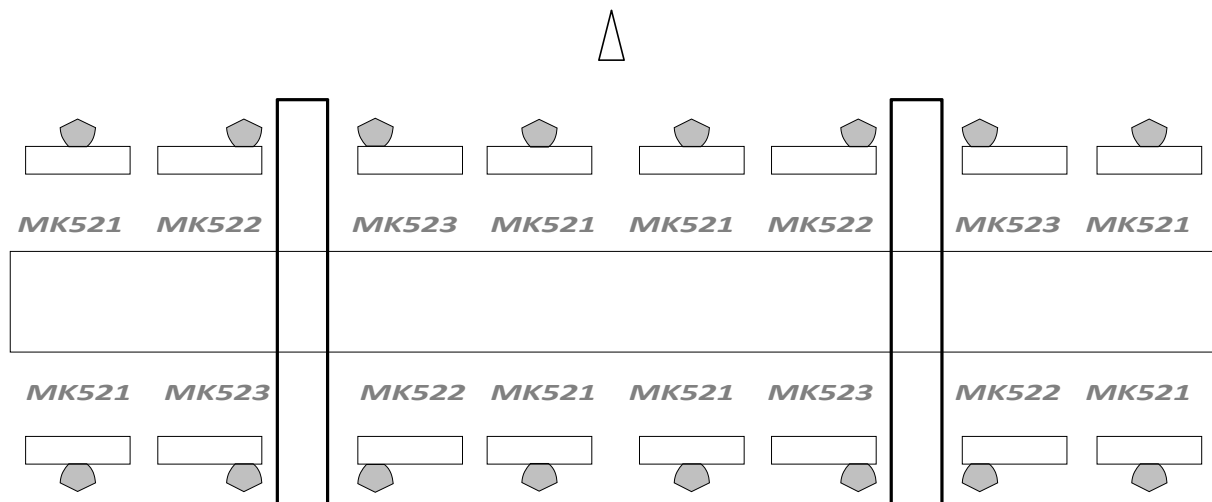
*MK421 : 4*

- Product quality is of paramount importance to us. Therefore we are certified to EN ISO 9001 since more than a decade. Recently we have been certified to EN ISO 14001 and OHSAS 18001 focusing our commitment to the environment as well as to health and safety.
- Certifiés EN-ISO 9001, En-ISO 14001 et OHSAS 18001, pour un service toujours amélioré et un respect des personnes et de l'environnement.



## TAMPER HARSCO

Outils – Tools : 450 mm



**MK521 : 8**  
**MK522 : 4**  
**MK523 : 4**